

Electricity Specification 400A2

Issue 4 March 2024

Anti-Climbing Devices



Amendment Summary

ISSUE NO. DATE	DESCRIPTION
Issue 3 07/09/21	<p>New template applied throughout.</p> <p>Prepared by: D M Talbot</p> <p>Approved by: Policy Approval Panel and signed on its behalf by Steve Cox, Engineering and Technical Director</p>
Issue 4 March 24	<p>Updated General Requirements to latest template for ES documents</p> <p>9 strand and 5 strand spacer bars updated from hook type to bolted pairs.</p> <p>Dwg I-400A2-ACD-006 Sht 2 amended</p> <p>Dwg I-400A2-ACD-007 Sht 2 amended</p> <p>Dwg I-400A2-ACD-008 Sht 8 amended</p> <p>Dwg I-400A2-ACD-009 amended</p> <p>Dwg I-400A2-ACD-010 amended</p> <p>Prepared by: P. Howell</p> <p>Approved by: Policy Approval Panel and signed on its behalf by Paul Turner, PAP Chair Person</p>

Contents

1	Introduction	5
2	Scope	5
3	Definitions	5
4	General Requirements for Approvals and Testing	6
4.1	Product not to be Changed	Error! Bookmark not defined.
4.2	Electricity North West Technical Approval	Error! Bookmark not defined.
4.3	Quality Assurance	Error! Bookmark not defined.
4.4	Formulation	Error! Bookmark not defined.
4.5	Identification Markings	Error! Bookmark not defined.
4.6	Minimum Life Expectancy	Error! Bookmark not defined.
4.7	Product Conformity	Error! Bookmark not defined.
4.8	Confirmation of Conformance	Error! Bookmark not defined.
5	Requirements for Type and Routine Testing	Error! Bookmark not defined.
5.1	Requirement for Type Tests at Suppliers Premises	Error! Bookmark not defined.
5.2	Requirement for Routine Tests at the Supplier’s Premises	Error! Bookmark not defined.
6	Constructional Requirements	7
6.1	Steelwork	7
6.2	Steelwork Finish	7
6.3	Barbed Wire	7
6.4	Wire Staples	7
7	Documents Referenced	8
8	Keywords	9
	Appendix A – Schedule of All ACDs	10
	Anti Climbing Device, H-Pole Kit (Pole Centres 1830mm) – CC Number 133519	16
	Anti Climbing Device, H-Pole Kit (Pole Centres 2500mm) – CC Number 133520	16
	Anti-Climbing Device, Steel Tower Kit, Leg Sizes up to and Including 250mm x 250mm, C/W Spacer Bars and Fittings – KIT CC Number 133507	22
	Anti-Climbing Device, Steel Tower Kit with Cranked Crossarms, Leg Sizes up to and Including 250mm x 250mm, C/W Spacer Bars and Fittings – KIT CC Number 133516	29
	Anti-Climbing Device, Steel Tower Kit, Wide Based Tower, C/W Spacer Bars and Fittings – KIT CC Number 133508	42
	Appendix B – Conformance Declaration	47

All Rights Reserved

The copyright of this document, which contains information of a proprietary nature, is vested in Electricity North West Limited. The contents of this document may not be used for purposes other than that for which it has been supplied and may not be reproduced, either wholly or in part, in any way whatsoever. It may not be used by, or its contents divulged to, any other person whatsoever without the prior written permission of Electricity North West Limited.

1 Introduction

This Specification comprises general requirements for Approvals and testing of anti-climbing devices (ACDs), followed by technical particulars relating to the constructional requirements of all ACDs, and the markings that shall be applied to all ACDs prior to delivery. [Appendix A](#) is a schedule of all ACDs in alphanumeric order, followed by associated drawings (in drawing number order).

2 Scope

This Specification covers all anti-climbing devices employed within Electricity North West Limited (hereinafter referred to as Electricity North West).

3 Definitions

ACD	Anti-climbing device
Approval	Sanction by the Electricity North West Overhead Line Circuits Policy Manager that specified criteria have been satisfied
Contract	The agreement between Electricity North West and the Contractor for the execution of the Works including therein all documents to which reference may properly be made in order to ascertain the rights and obligations of the parties under the said agreement.
Contractor	The person or person's firm or company, including personal representatives, successors and permitted assigns, who's Tender has been accepted by Electricity North West.
Specification	The Specifications and schedules (if any) agreed by the parties for the purpose of the Contract.
Sub-Contractor	Any person (other than the Contractor) named in the Contract for any part of the Works or any person to whom any part of the Contract has been sub-let with the consent in writing of the Electricity North West Overhead Line Circuits Policy Manager, and the legal representatives, successors and assigns of such person.
Supplier	Any person or person's firm or company who supplies goods to Electricity North West or to its Contractor.
Tender	An offer in writing to execute work or supply goods at a fixed price.
Tenderer	The person or person's firm or company, including personal representatives, successors and permitted assigns, invited by Electricity North West to submit a Tender.

4 General Requirements for Approvals and Testing

4.1 Product not to be Changed

Compliance with this clause shall be in accordance with ES001.

4.2 Electricity North West Limited Technical Approval

Compliance with this clause shall be in accordance with ES001.

4.3 Quality Assurance

Compliance with this clause shall be in accordance with ES001.

4.4 Formulation

Compliance with this clause shall be in accordance with ES001.

4.5 Identification Markings

Compliance with this clause shall be in accordance with ES001.

4.6 Minimum Life Expectancy

The minimum life expectancy of all products covered by this Specification is 20 years.

4.7 Product Conformity

Compliance with this clause shall be in accordance with ES001.

4.8 Confirmation of Conformance

The Tenderer shall complete the conformance declaration sheets in [Appendix B](#).

Failure to complete these declaration sheets may result in an unacceptable bid.

5 Requirements for Type and Routine Testing

Compliance with this clause shall be in accordance with ES001.

5.1 Requirement for Type Tests at Suppliers Premises

Compliance with this clause shall be in accordance with ES001.

5.2 Requirement for Routine Tests at the Supplier's Premises

Compliance with this clause shall be in accordance with ES001.

6 Constructional Requirements

6.1 Steelwork

ACD steelwork shall conform to all requirements of this Specification and the general requirements of ENA TS 43-95. Manufacturing tolerances shall be those given in ENA TS 43-95, unless otherwise stated.

6.2 Steelwork Finish

All steelwork shall be galvanized to BS EN ISO 1461. Galvanized steelwork shall be free from sharp edges or points left by the galvanization process.

6.3 Barbed Wire

Barbed wire shall generally be in accordance with ES400W4.

In areas where corrosion is severe, stainless-steel barbed wire may be used.

6.4 Wire Staples

Wire staples shall comply with BS 1494-1, and be of sufficient size to hold the barbed wire in place. Wire staples shall be galvanized to BS EN 10244-2.

7 Documents Referenced

DOCUMENTS REFERENCED	
Control of Substances Hazardous to Health (COSHH) Regulations 2002.	
Health and Safety at Work Etc Act: 1974	
Health and Safety Manual Handling Operation Regulations 1992.	
BS EN ISO 1461:	Hot dip galvanized coatings on fabricated iron and steel articles. Specifications and test methods.
BS EN ISO 9000:	Quality Management & Quality Assurance Standards.
BS EN ISO 14001: 2004:	Environmental management systems. Requirements with guidance for use.
BS EN 10025:	Hot rolled products of non-alloy structural steels. Technical delivery conditions.
BS EN 10244-2:	Steel wire and wire products. Non-ferrous metallic coatings on steel wire. Zinc or zinc alloy coatings.
BS 1494-1:	Specification for fixing accessories for building purposes. Fixings for sheet, roof and wall coverings
ENA TS 43-90	Anti-climbing devices and safety signs for lines up to and including 400kV.
ENA TS 43-95:	Steelwork for overhead lines.
EPD311:	Approval of Equipment.
CP311:	Equipment Approval Process.

ES400F1:

Specification for Fasteners and Washers for Wood Pole Overhead Lines.

ES400W4:

Barbed wire.

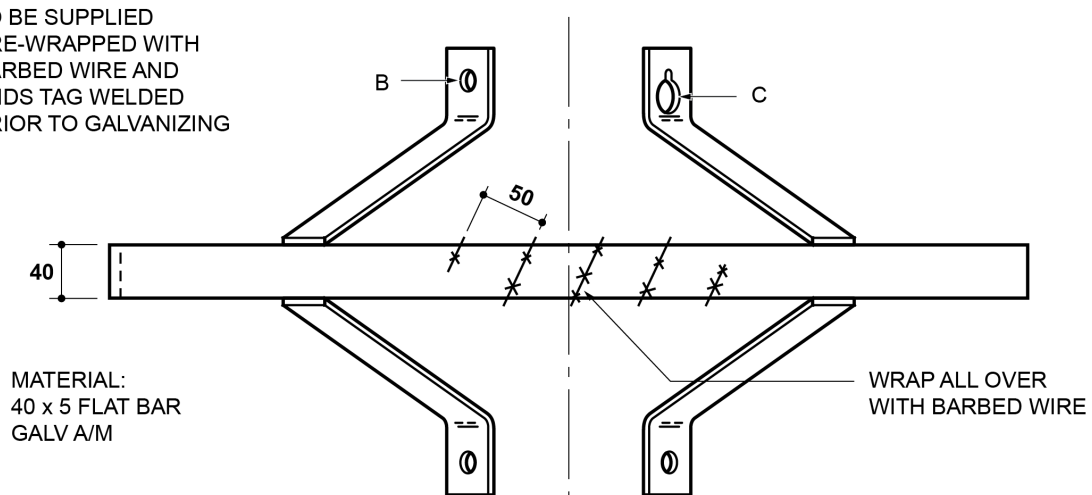
8 Keywords

ACD

Appendix A – Schedule of All ACDs

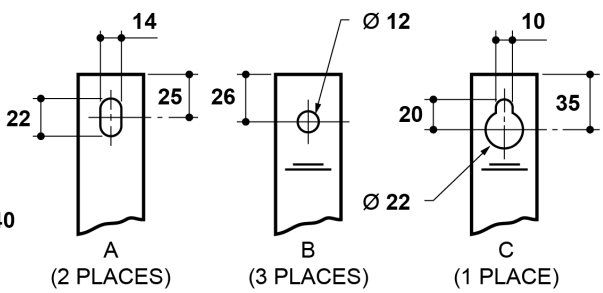
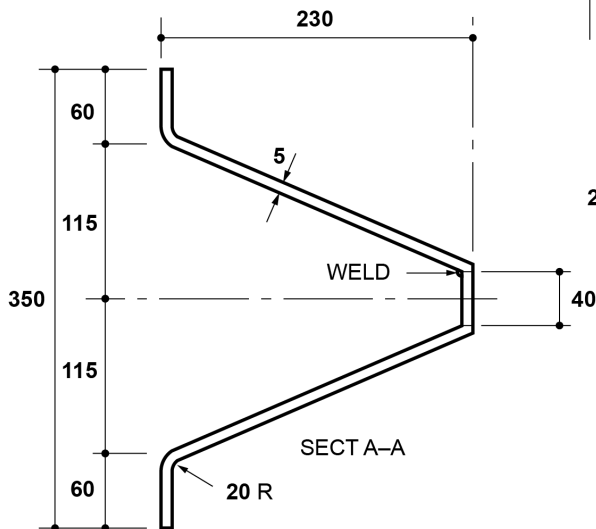
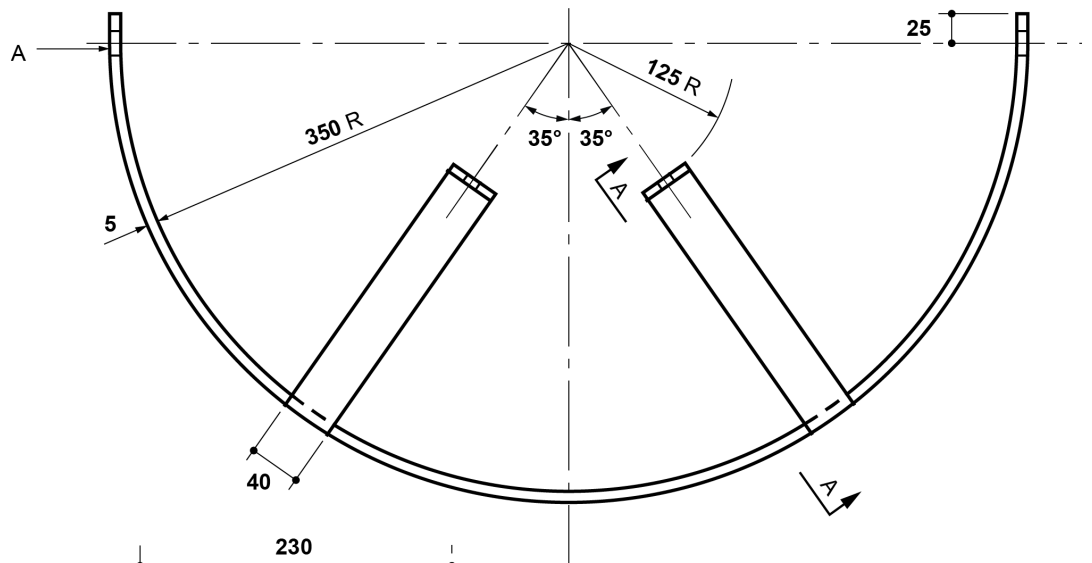
Item No	Approved Description (for purchasing and product labelling)	Drawing Reference	CC number
1	Anti-climbing device, half moon, wood pole, radius 350mm (Dwg I-400A2-ACD-001)	I-400A2-ACD-001	133620
2	Anti-climbing device, half moon, wood pole, radius 400mm (Dwg I-400A2-ACD-002)	I-400A2-ACD-002	133514
3*	Anti-climbing device, bracket, narrow based lattice steel tower/steel pole/concrete pole (Dwg I-400A2-ACD-004)	I-400A2-ACD-004	133517
4*	Anti-climbing device, bracket, 3 strand type (Dwg I-400A2-ACD-003)	I-400A2-ACD-003	133518
5	Anti-climbing device, fittings pack	Not applicable (refer to ES400F1)	133512
6	Anti-climbing device, H-pole kit (pole centres 1830mm) (Dwg I-400A2-ACD-005)	I-400A2-ACD-005	133519
7	Anti-climbing device, H-pole kit (pole centres 2500mm) (Dwg I-400A2-ACD-005)	I-400A2-ACD-005	133520
8	Anti-climbing device, spacer bar, 5-strand (short) (Dwg I-400A2-ACD-009)	I-400A2-ACD-009	133510
9	Anti-climbing device, spacer bar, 9-strand (long) (Dwg I-400A2-ACD-010)	I-400A2-ACD-010	133515
10	Anti-climbing device, steel tower gate hook (Dwg I-400A2-ACD-011)	I-400A2-ACD-011	133521
11	Anti-climbing device, steel tower kit, leg sizes up to and including 250mm x 250mm, c/w spacer bars and fittings (Dwg I-400A2-ACD-006)	I-400A2-ACD-006	133507
12	Anti-climbing device, steel tower kit with cranked crossarms, leg sizes up to and including 250mm x 250mm, c/w spacer bars and fittings (Dwg I-400A2-ACD-007)	I-400A2-ACD-007	133516
13	Anti-climbing device, steel tower kit, wide based tower, c/w spacer bars and fittings (Dwg I-400A2-ACD-008)	I-400A2-ACD-008	133508
* To be supplied with two stainless steel ties to Drawing I-400A2-ACD-012.			

TO BE SUPPLIED
PRE-WRAPPED WITH
BARBED WIRE AND
ENDS TAG WELDED
PRIOR TO GALVANIZING



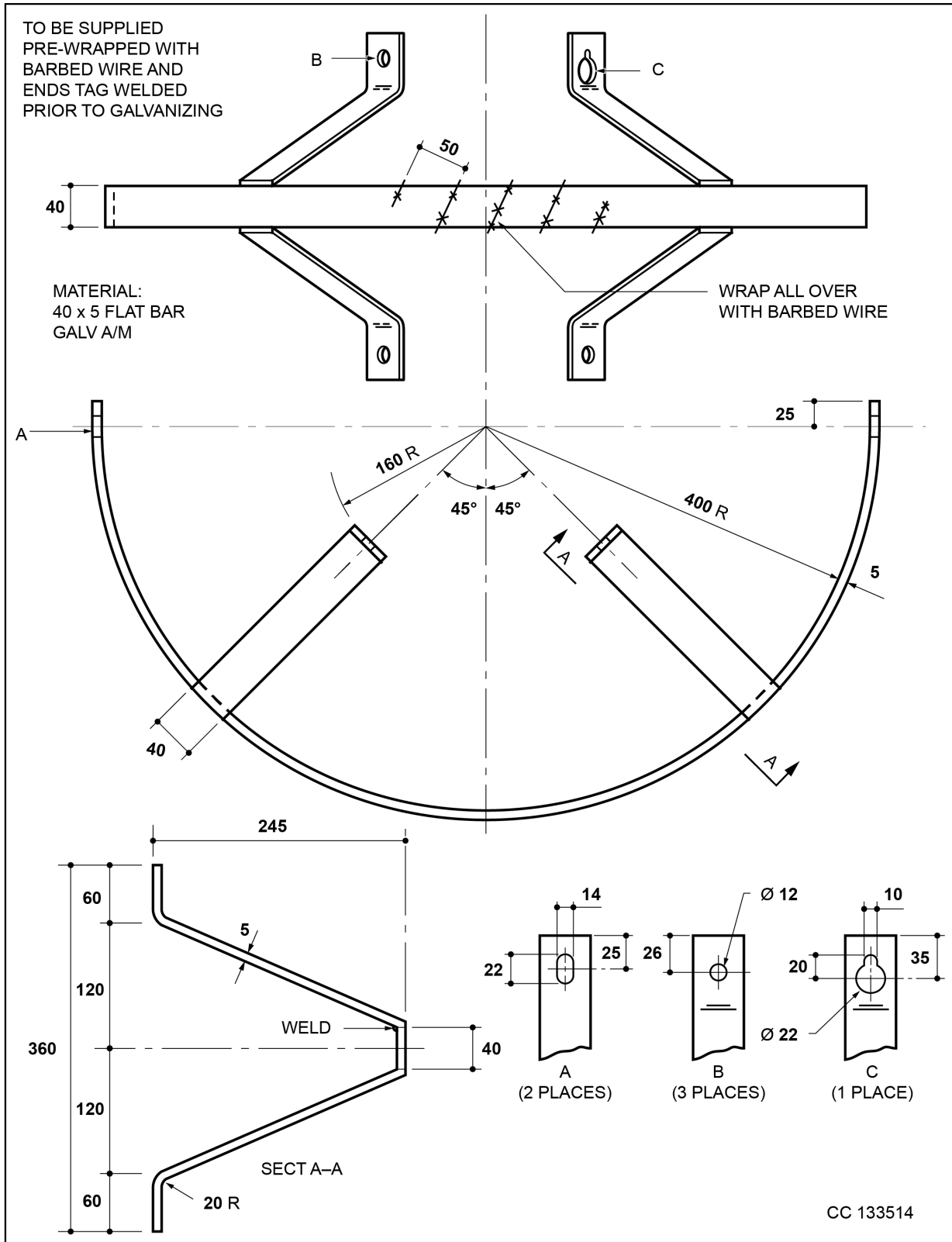
MATERIAL:
40 x 5 FLAT BAR
GALV A/M

WRAP ALL OVER
WITH BARBED WIRE

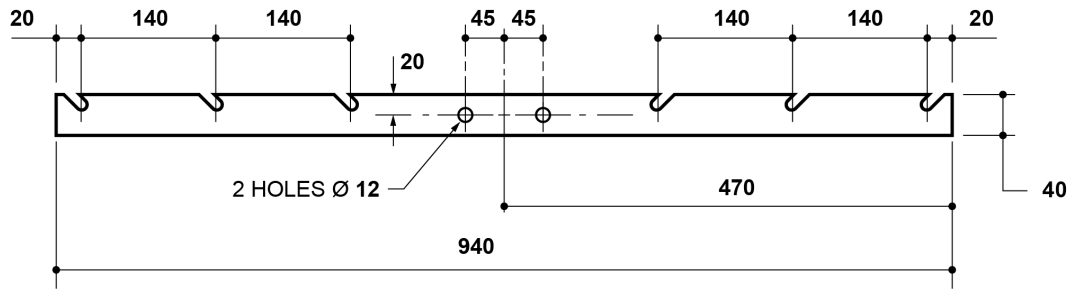


CC 133620

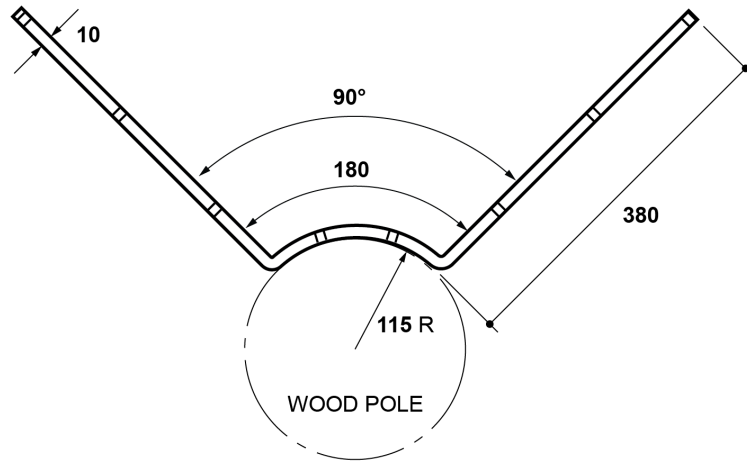
<p>ANTI-CLIMBING DEVICE HALF MOON WOOD POLE RADIUS 350mm</p>	<p>Change information for this issue Requirement for pre-wrapping and tag welding stated</p>	<p>Appears in ES400A2</p>	<p>electricity north west</p> <p>I-400A2-ACD-001 Iss 2 sht 1 of 1 Scale: nts Auth: DMT Date: 27/11/2014</p>
--	--	-------------------------------	--



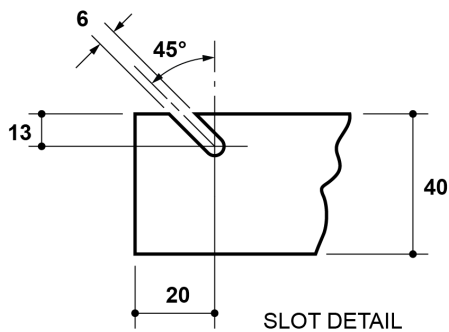
<p>ANTI-CLIMBING DEVICE HALF MOON WOOD POLE RADIUS 400mm</p>	<p>Change information for this issue Requirement for pre-wrapping and tag welding stated</p>	<p>Appears in ES400A2</p>	<p>electricity north west</p> <p>I-400A2-ACD-002 Iss 2 sht 1 of 1 Scale: nts Auth: DMT Date: 27/11/2014</p>
--	--	-------------------------------	--



40 x 10 FLAT BAR
PRIOR TO BENDING 2 OFF



BRACKET BENT TO SHAPE



CC 133518

ANTI-CLIMBING DEVICE
BRACKET
3 STRAND TYPE

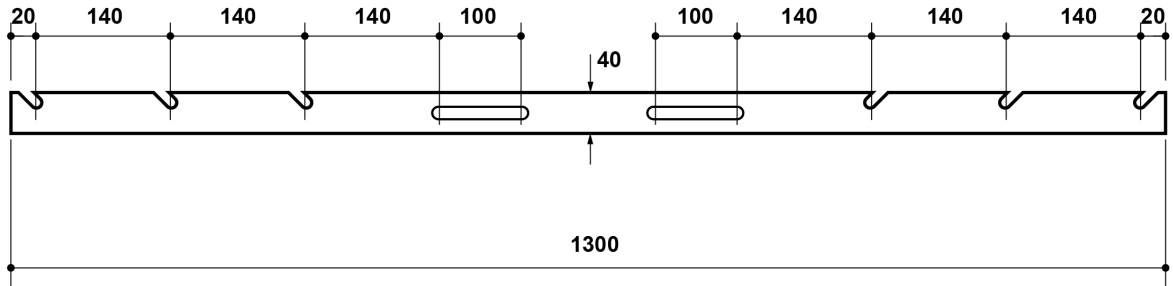
Change information for this issue
N/A

Appears in
ES400A2

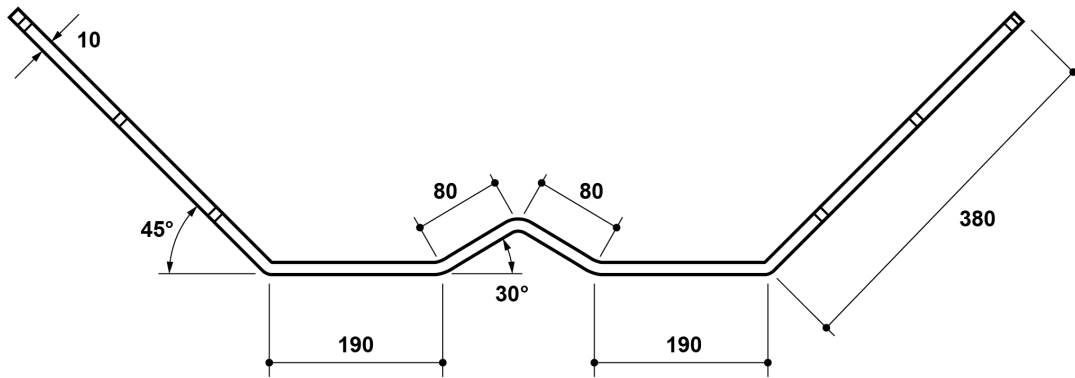
electricity north west

I-400A2-ACD-003 Iss 1 sht 1 of 1

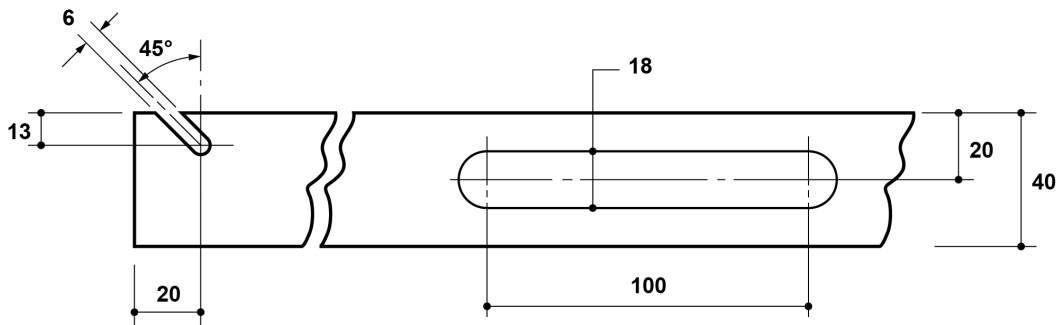
Scale: nts Auth: DMT Date: 16/02/2012



40 x 10 FLAT BAR
PRIOR TO BENDING 2 OFF



BRACKET BENT TO SHAPE



SLOT DETAIL

CC 133517

ANTI-CLIMBING DEVICE
BRACKET
NARROW BASED LATTICE STEEL TOWER/
STEEL POLE/CONCRETE POLE

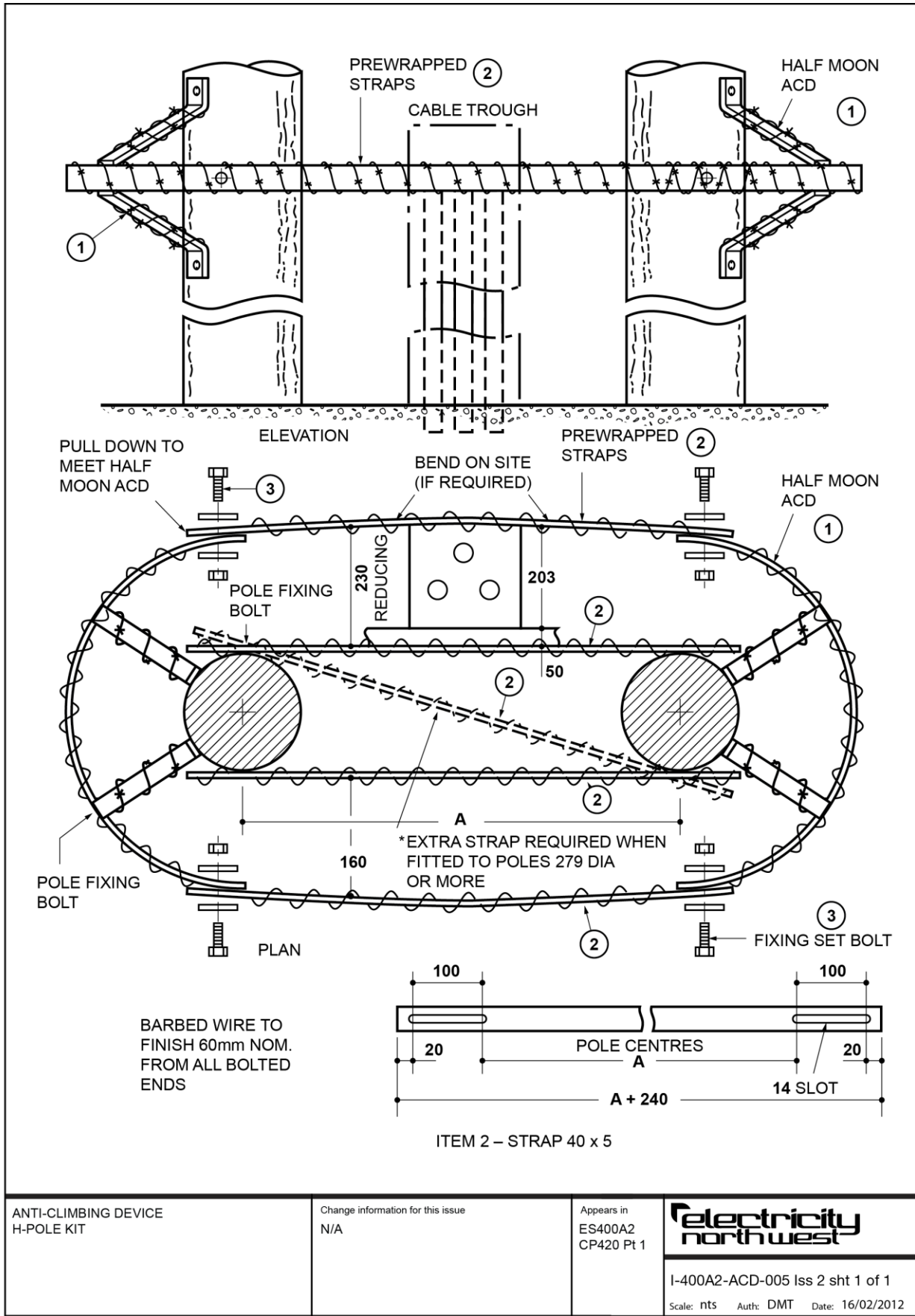
Change information for this issue

Appears in
ES400A2



I-400A2-ACD-004 Iss 1 sht 1 of 1

Scale: nts Auth: DMT Date: 16/02/2012



Anti Climbing Device, H-Pole Kit (Pole Centres 1830mm) – CC Number 133519

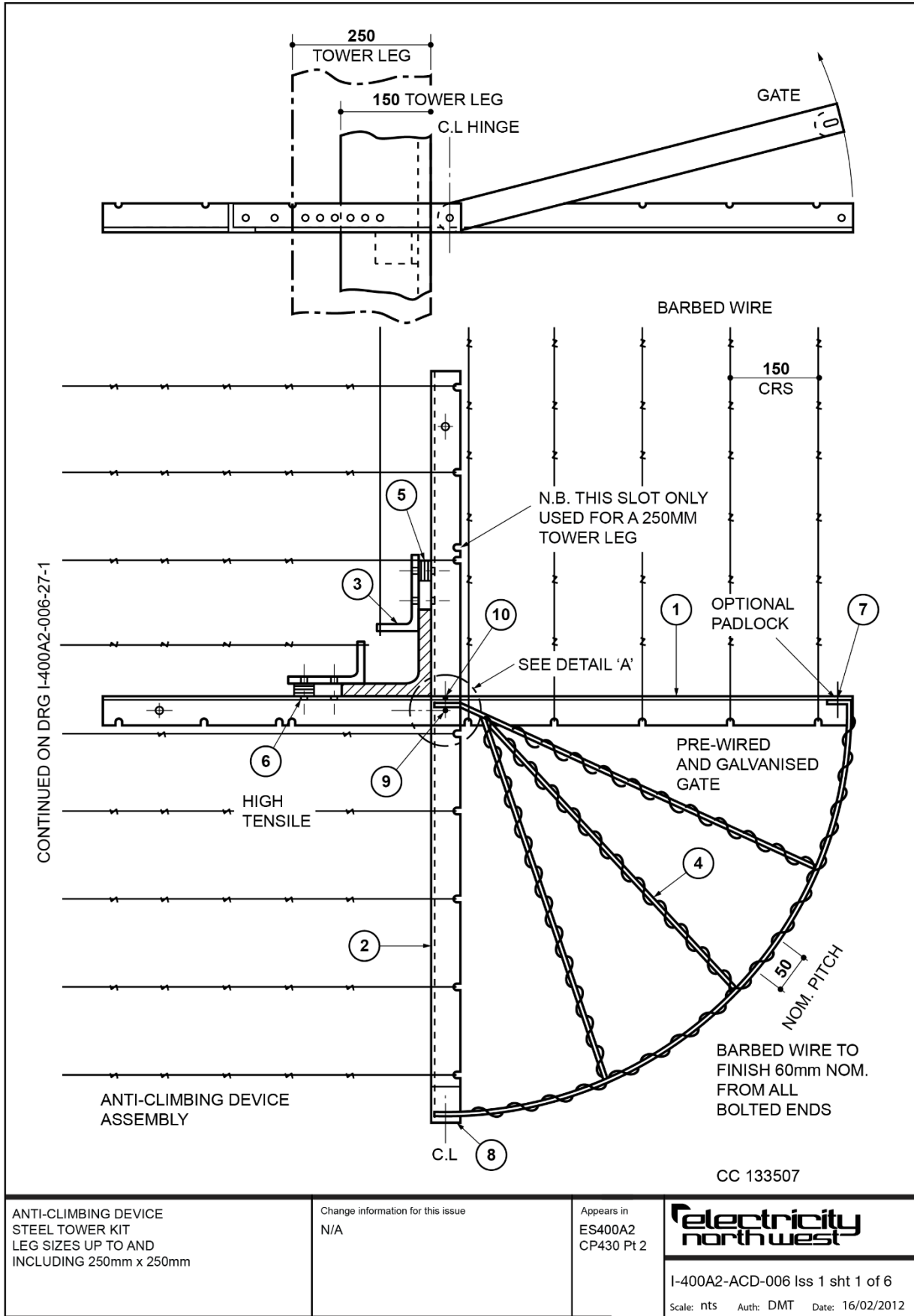
		Drawing No: I-400A2-ACD-005		
Item Number (refer to drawing)	Description	ES Ref No	CC number	Quantity
2	Strap (Dimension A = 1830mm)	-	-	3
3	M12 x 35mm bolt, c/w nut	-	-	4
3	M12 washer	-	-	8
(Additional Items Required for Kit - But Not Included in Kit Contents)				
-	Barbed wire Spacing: 150mm between strands (unsupported); 230mm unprotected space	ES400W4	197408	As req
1	Half moon ACD	ES400A2	(see Note)	2

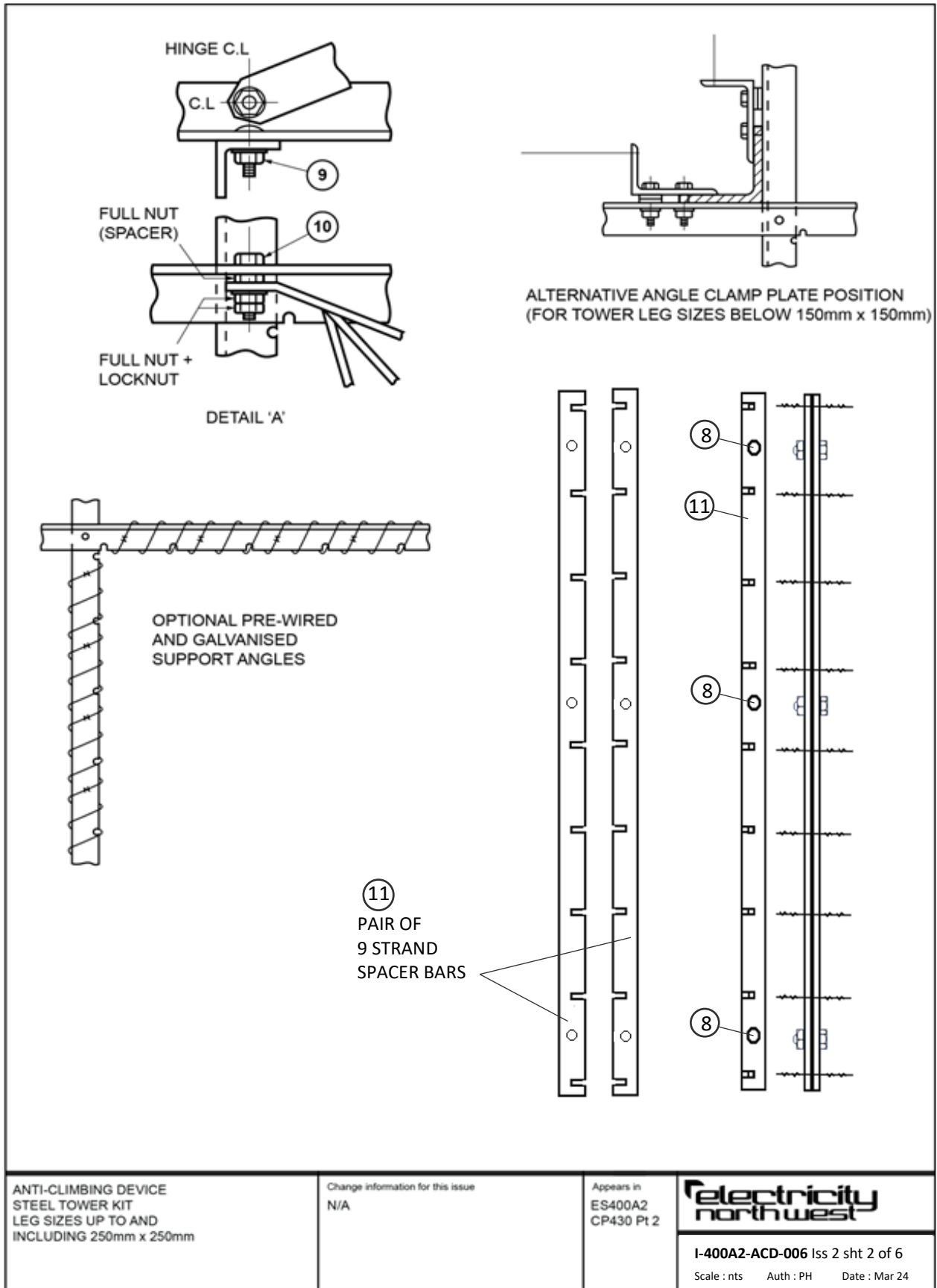
NOTE: Appropriate half moon ACDs need to be selecting depending upon the pole sizes.

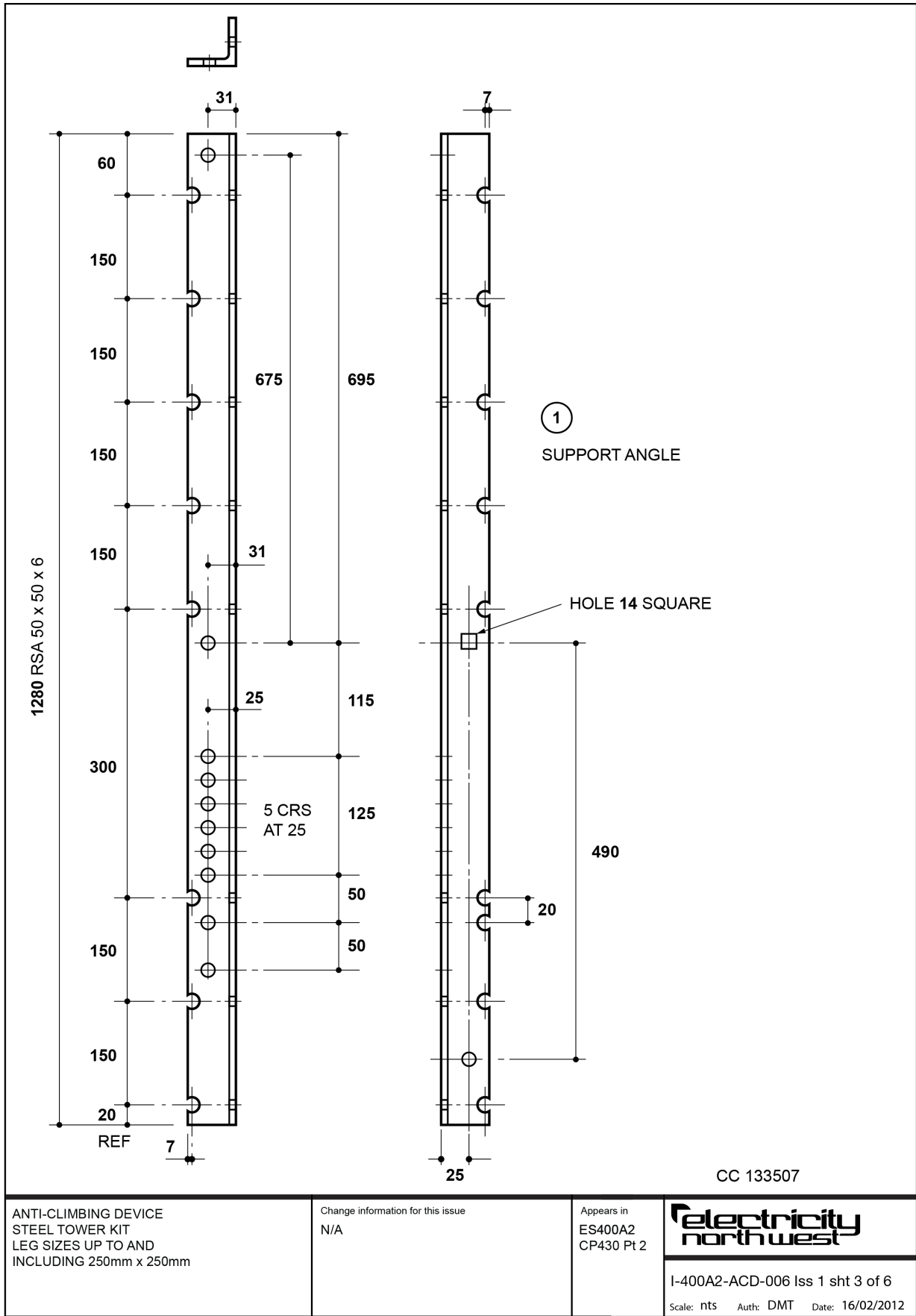
Anti Climbing Device, H-Pole Kit (Pole Centres 2500mm) – CC Number 133520

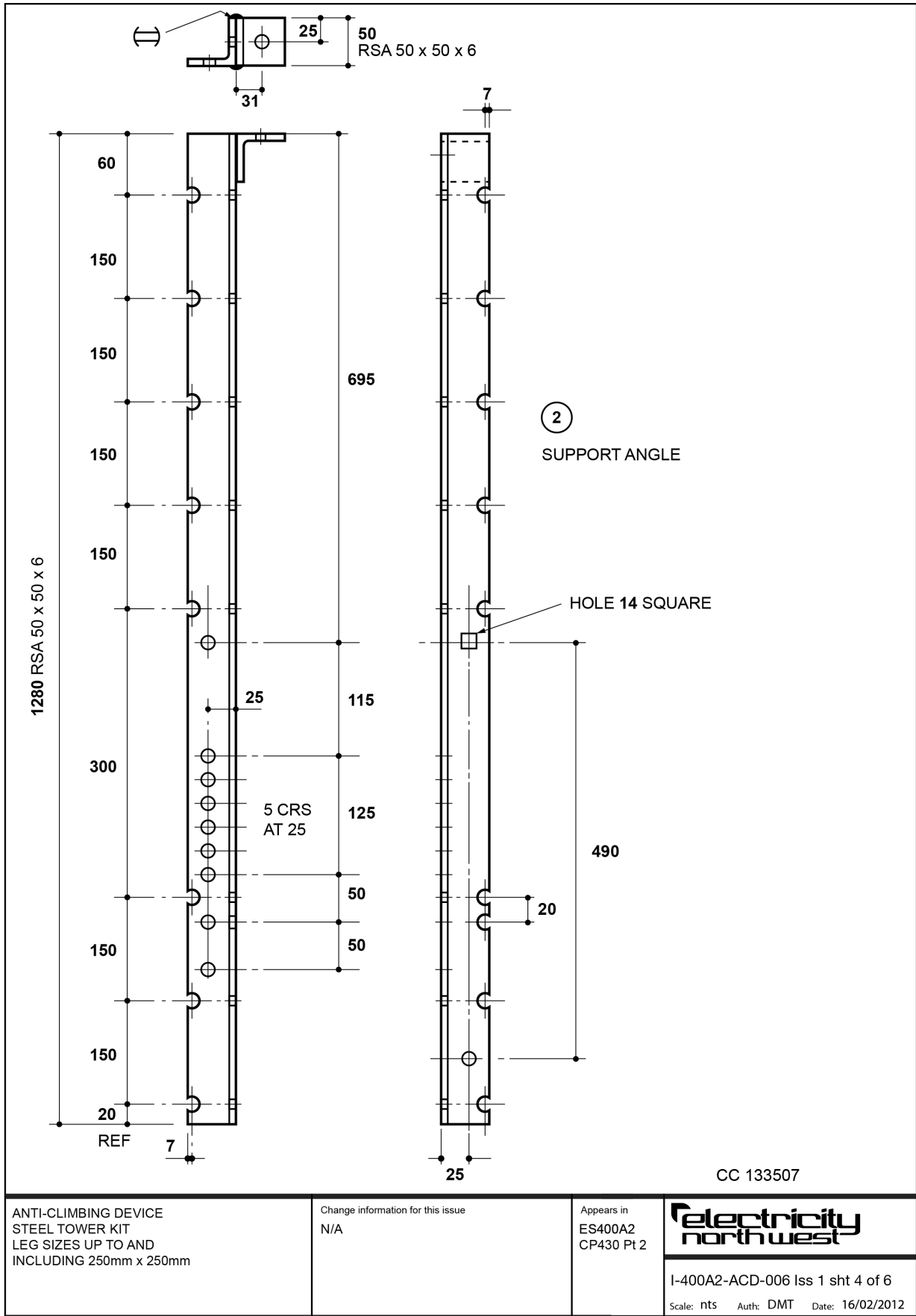
		Drawing No: I-400A2-ACD-005		
Item Number (refer to drawing)	Description	ES Ref No	CC number	Quantity
2	Strap (Dimension A = 2500mm)	-	-	3
3	M12 x 35mm bolt, c/w nut	-	-	4
3	M12 washer	-	-	8
(Additional Items Required for Kit - But Not Included in Kit Contents)				
-	Barbed wire Spacing: 150mm between strands (unsupported); 230mm unprotected space	ES400W4	197408	As req
1	Half-moon ACD	ES400A2	(see Note)	2

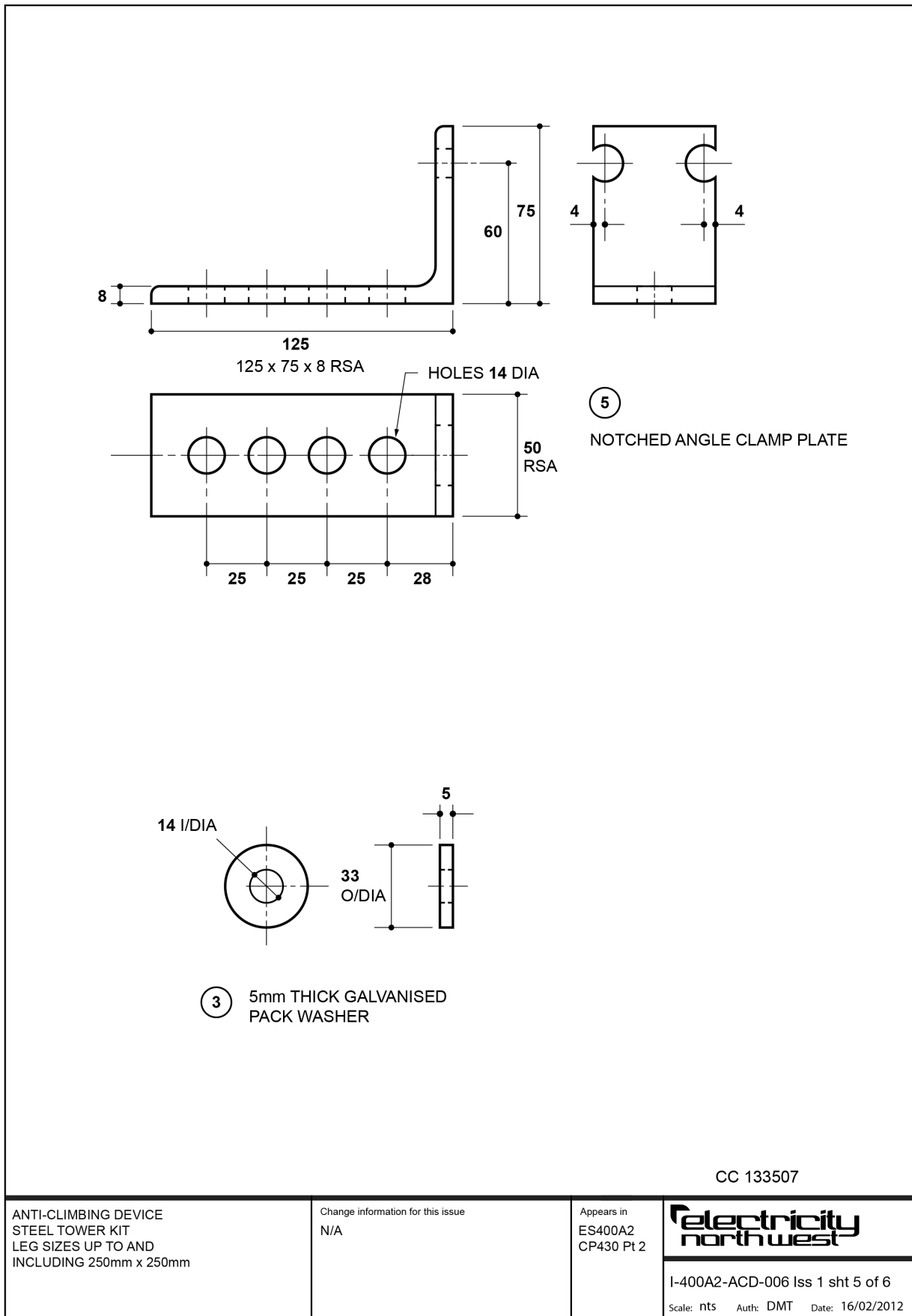
NOTE: Appropriate half-moon ACDs need to be selecting depending upon the pole sizes.

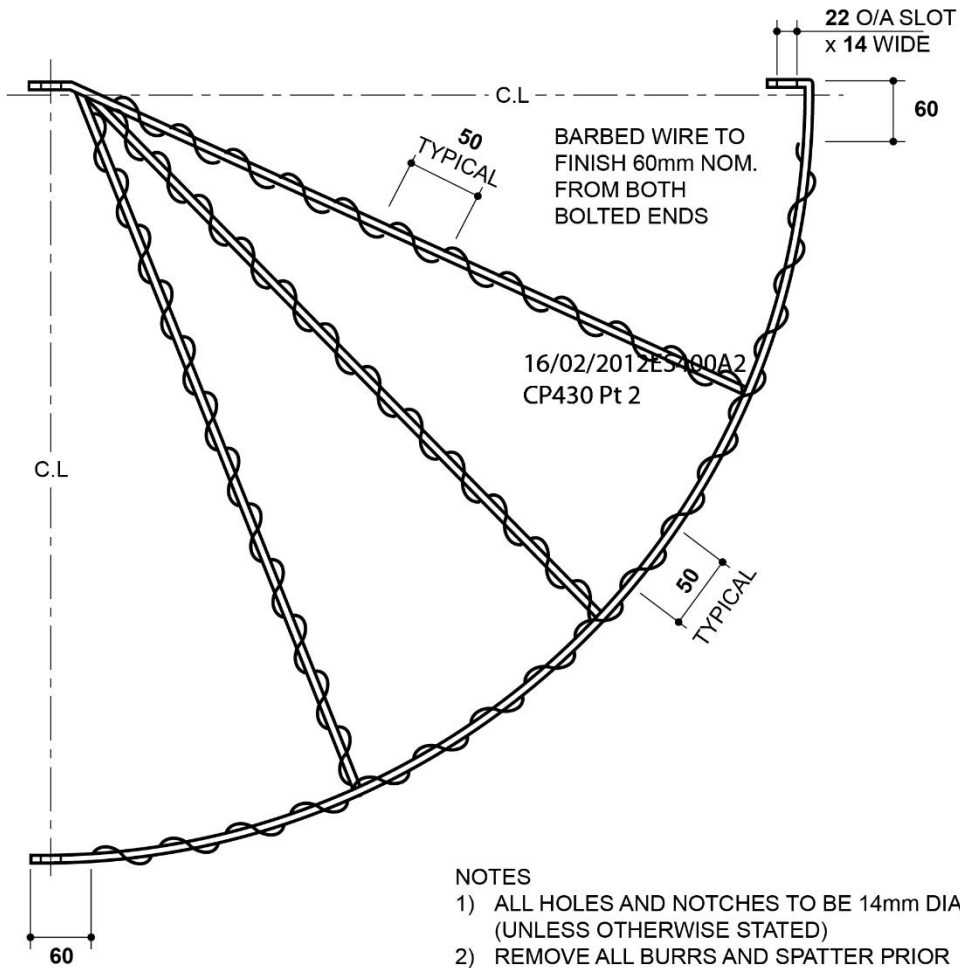












④ GATE PRE-WIRED AND GALVANISED

CC 133507

ANTI-CLIMBING DEVICE
STEEL TOWER KIT
LEG SIZES UP TO AND
INCLUDING 250mm x 250mm

Change information for this issue
N/A

Appears in
ES400A2
CP430 Pt 2

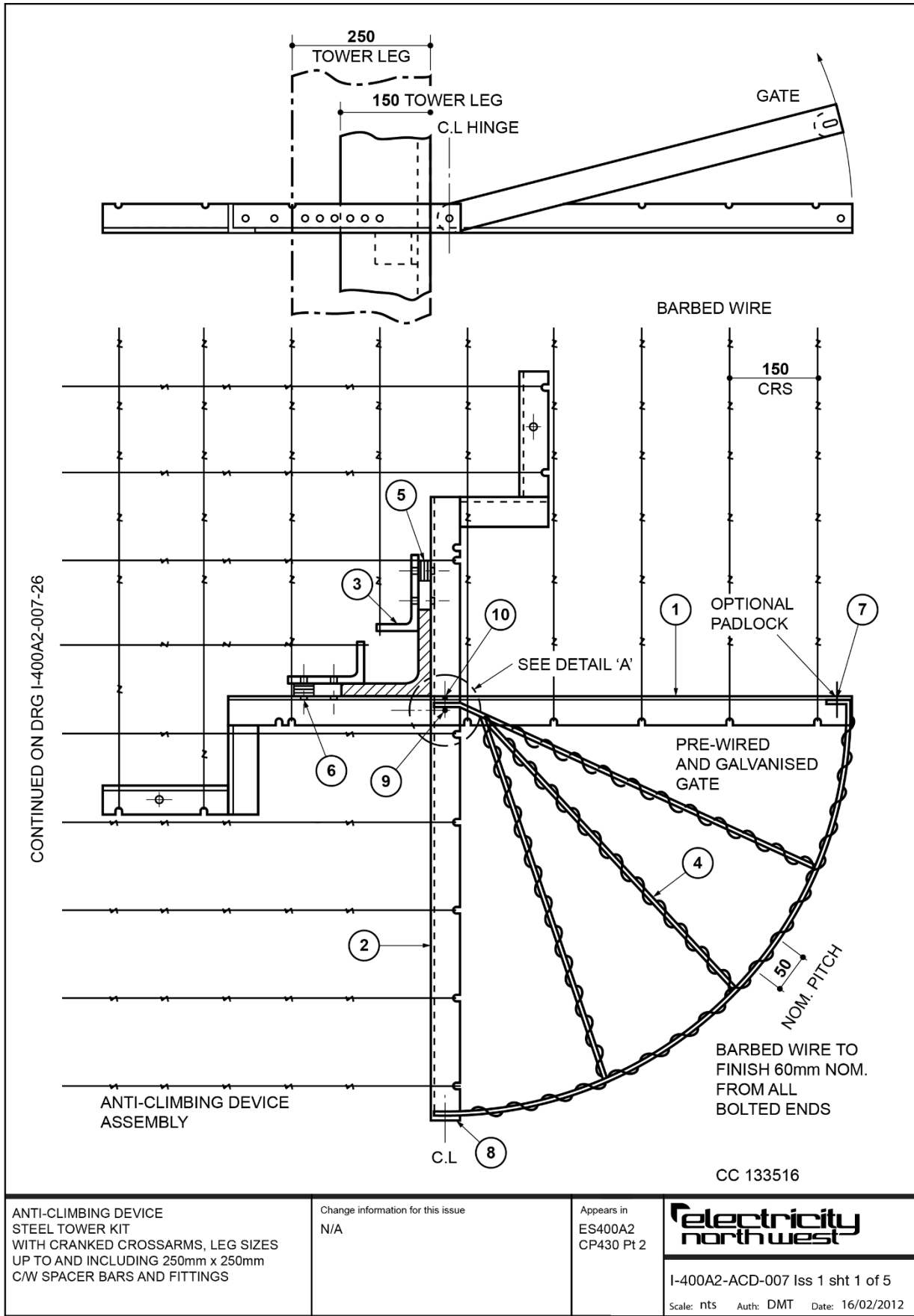
Anti-Climbing Device, Steel Tower Kit, Leg Sizes up to and Including 250mm x 250mm, C/W Spacer Bars and Fittings – KIT CC Number 133507

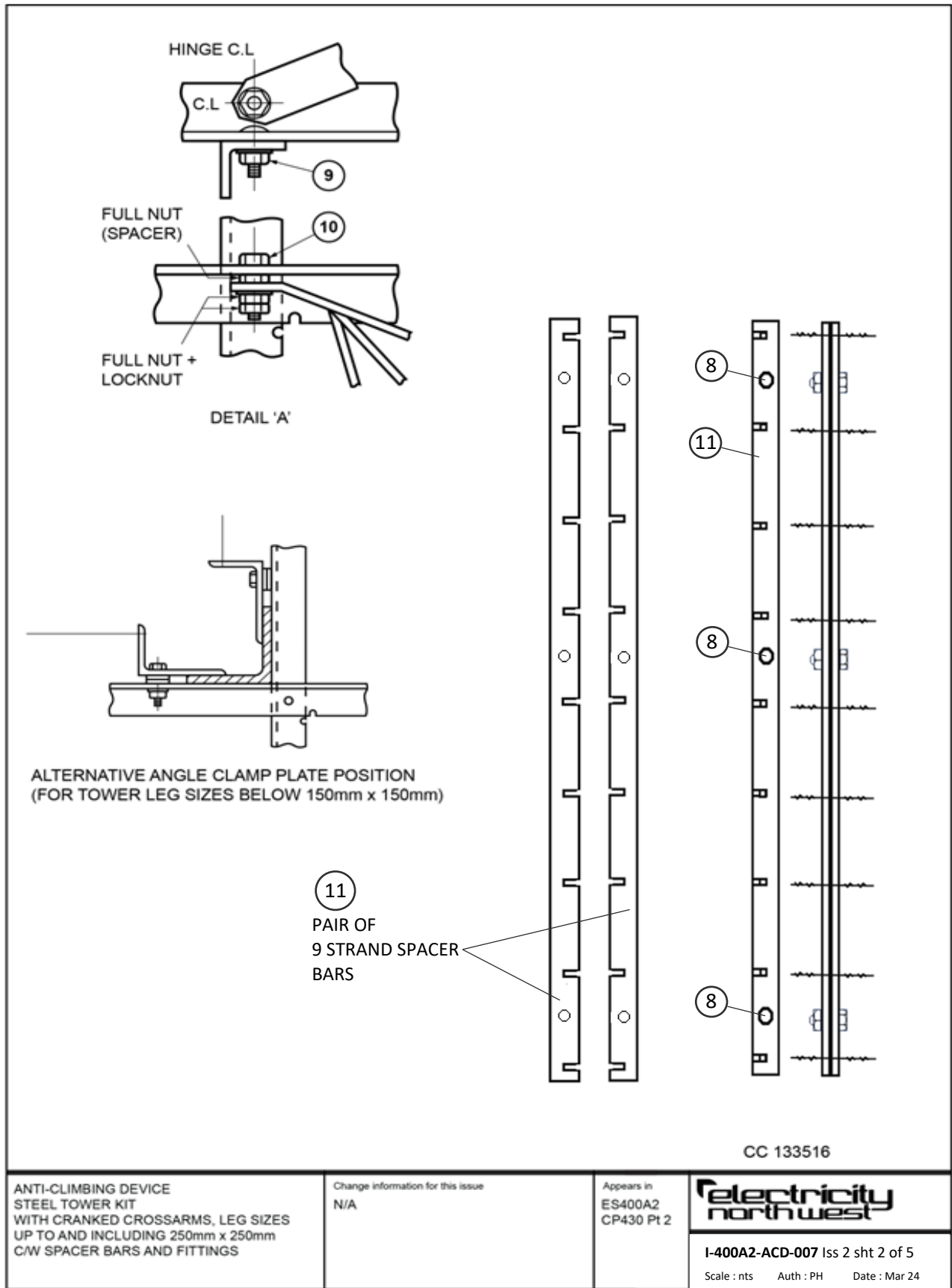
		Drawing No: I-400A2-ACD-006		
Item Number (refer to drawing)	Description	ES Ref No	CC number	Quantity
1*	Support angle	-	-	4
2*	Support angle	-	-	4
3	Notched angle clamp plate	-	-	8
4	Gate	-	-	4
5	Washer	-	-	24
6	Screw, set, M12, 60mm, high-tensile + nut and washer	-	-	16
7	Bolt, M12, 35mm + nyloc and flat washer	-	-	4
8	Bolt, M12, 35mm + full nut, lock nut and flat washer	-	-	64
9	Bolt, dome head, M12, 40mm + full nut and flat washer	-	-	4
10	Bolt, M12, 40mm + 2 full nuts, lock nut and flat washer	-	-	4
-	Gate hook (Refer to Dwg I-400A2-ACD-011) + flat washer	ES400A2	133521	4 4
-	Spacer bar, 9-strand (long) (Refer to Dwg I-400A2-ACD-010)	ES400A2	133515	20 pairs
-	Stainless steel ties to Drawing I-400A2-ACD-012	ES400A2	-	64
(Additional Items That May be Required for Kit - But Not Included in Kit Contents)				
-	Barbed wire	ES400W4	197408	As req

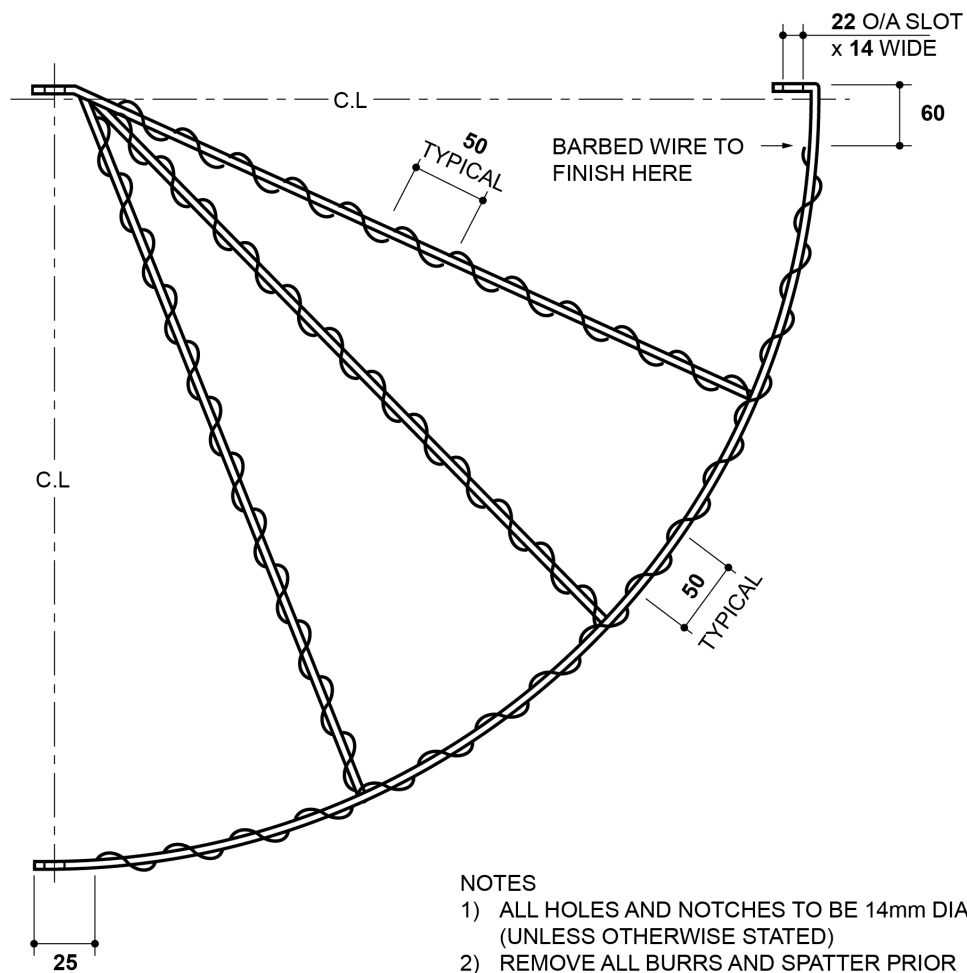
Mar 24

Mar 24

* Pre-wiring/not pre-wiring options need to be specified (see drawing).







NOTES

- 1) ALL HOLES AND NOTCHES TO BE 14mm DIA (UNLESS OTHERWISE STATED)
- 2) REMOVE ALL BURRS AND SPATTER PRIOR TO GALVANISING

④ GATE
PRE-WIRED AND GALVANISED

CC 133516

ANTI-CLIMBING DEVICE
STEEL TOWER KIT
WITH CRANKED CROSSARMS, LEG SIZES
UP TO AND INCLUDING 250mm x 250mm
C/W SPACER BARS AND FITTINGS

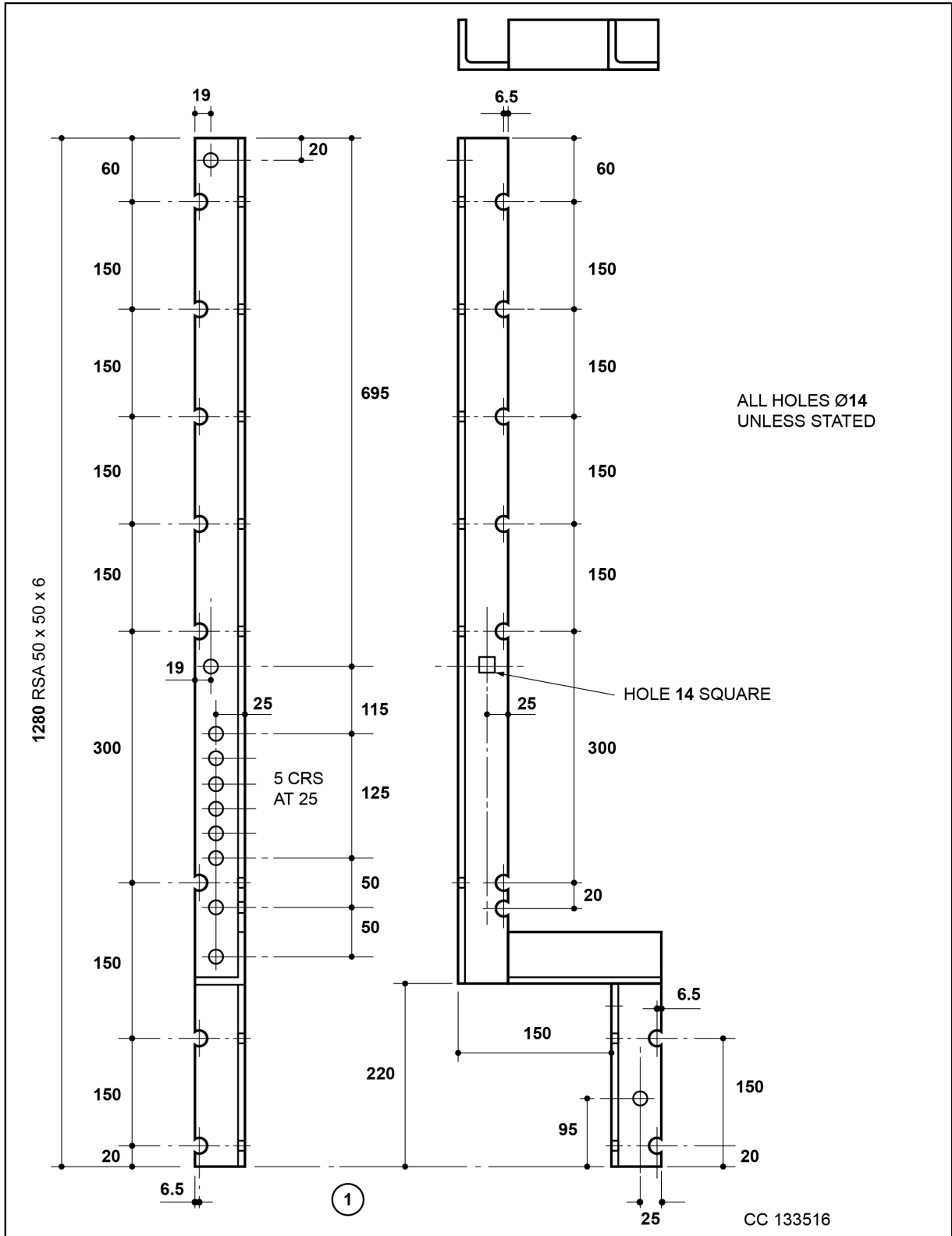
Change information for this issue
N/A

Appears in
ES400A2
CP430 Pt 2



I-400A2-ACD-007 Iss 1 sht 3 of 5

Scale: nts Auth: DMT Date: 16/02/2012



ALL HOLES Ø14
UNLESS STATED

HOLE 14 SQUARE

CC 133516

ANTI-CLIMBING DEVICE
STEEL TOWER KIT
WITH CRANKED CROSSARMS, LEG SIZES
UP TO AND INCLUDING 250mm x 250mm
C/W SPACER BARS AND FITTINGS

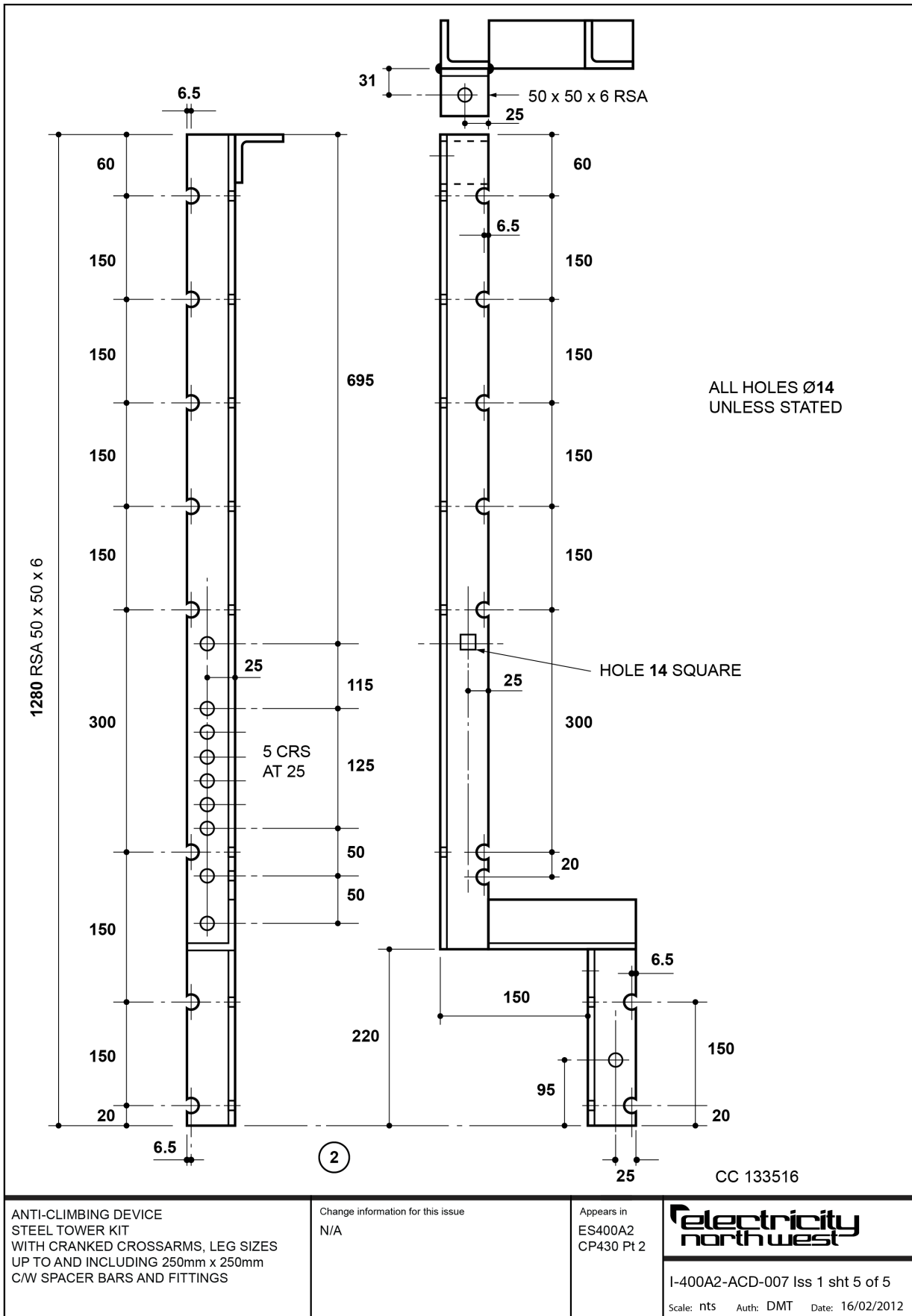
Change information for this issue
N/A

Appears in
ES400A2
CP430 Pt 2



I-400A2-ACD-007 Iss 1 sht 4 of 5

Scale: nts Auth: DMT Date: 16/02/2012



Anti-Climbing Device, Steel Tower Kit with Cranked Crossarms, Leg Sizes up to and Including 250mm x 250mm, C/W Spacer Bars and Fittings – KIT CC Number 133516

		Drawing No: I-400A2-ACD-007		
Item Number (refer to drawing)	Description	ES Ref No	CC number	Quantity
1*	Support angle	-	-	4
2*	Support angle	-	-	4
3	Notched angle clamp plate (refer to Dwg I-400A2-ACD-006, item 3)	-	-	8
4	Gate	-	-	4
5	Washer (refer to Dwg I-400A2-ACD-006, item 5)	-	-	24
6	Screw, set, M12, 60mm, high-tensile + nut and washer	-	-	16
7	Bolt, M12, 35mm + nyloc and flat washer	-	-	4
8	Bolt, M12, 35mm + full nut, lock nut and flat washer	-	-	64
9	Bolt, dome head, M12, 40mm + full nut and flat washer	-	-	4
10	Bolt, M12, 40mm + 2 full nuts, lock nut and flat washer	-	-	4
-	Gate hook (Refer to Dwg I-400A2-ACD-011) + flat washer	ES400A2	133521	4 4
11	Spacer bar, 9-strand (long) (Refer to Dwg I-400A2-ACD-010)	ES400A2	133515	20 pairs
-	Stainless steel ties to Drawing I-400A2-ACD-012	ES400A2	-	64
(Additional Items That May be Required for Kit - But Not Included in Kit Contents)				
-	Barbed wire	ES400W4	197408	As req

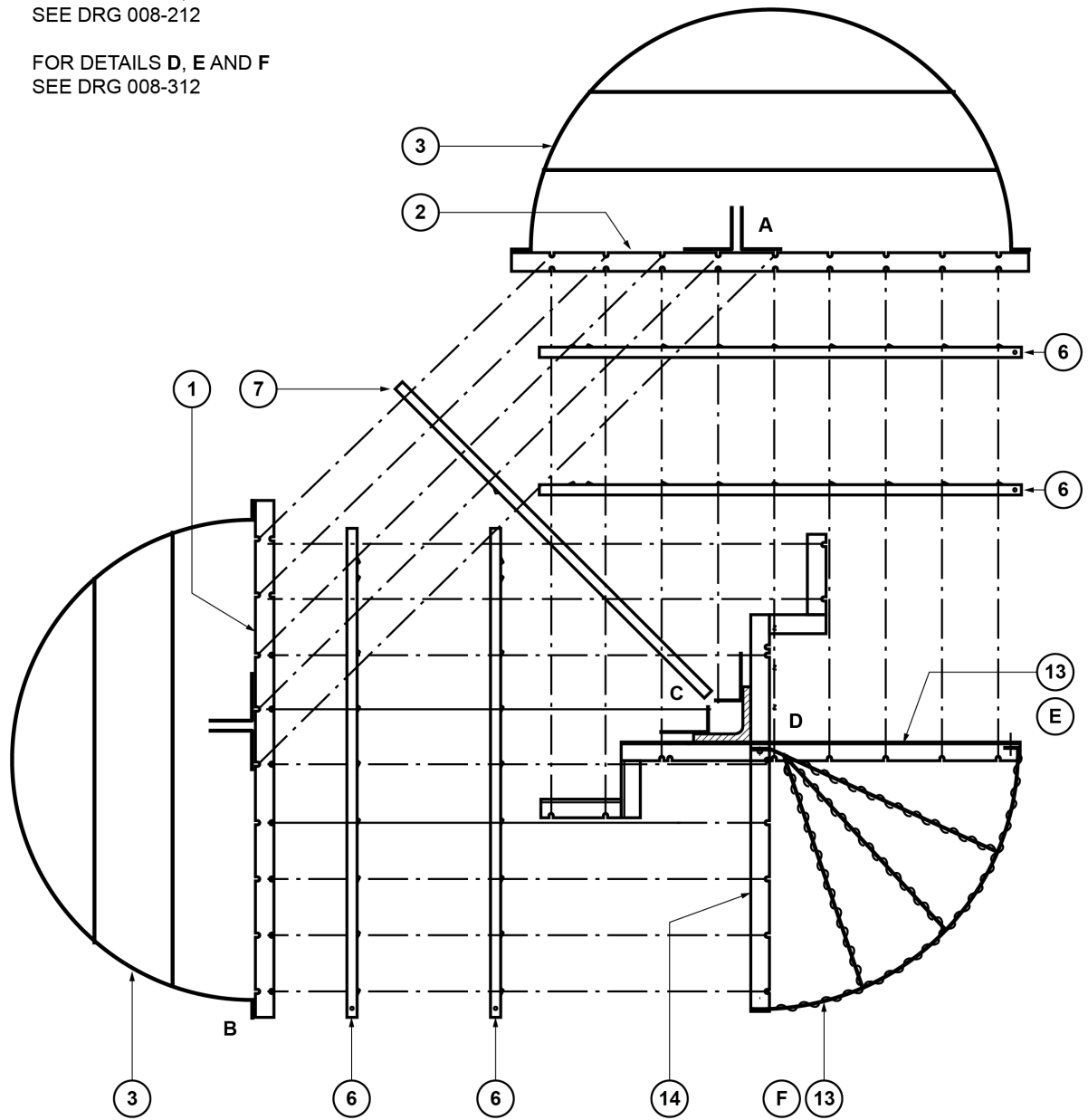
Mar 24

Mar 24

* Pre-wiring/not pre-wiring options need to be specified (see drawing).

NOTE
FOR DETAILS A, B AND C
SEE DRG 008-212

FOR DETAILS D, E AND F
SEE DRG 008-312



GENERAL ARRANGEMENT

CC 133508

ANTI-CLIMBING DEVICE
STEEL TOWER KIT
WIDE BASED TOWER
C/W SPACER BARS AND FITTINGS

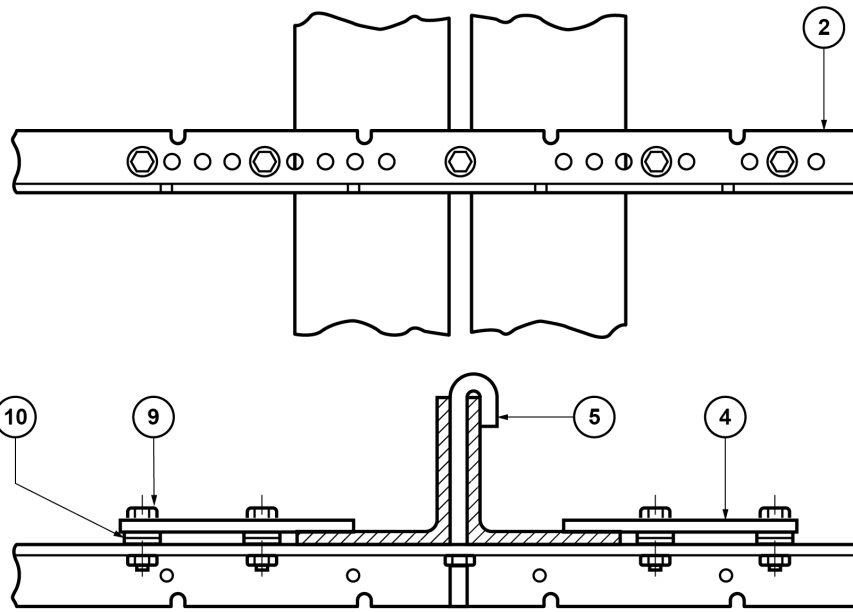
Change information for this issue
Item 7 now the same as item 6
Holes for J bolts removed

Appears in
ES400A2
CP430 Pt 2

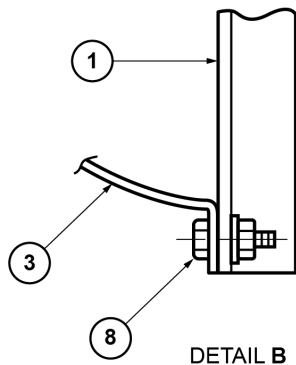


I-400A2-ACD-008 Iss 2 sht 1 of 12

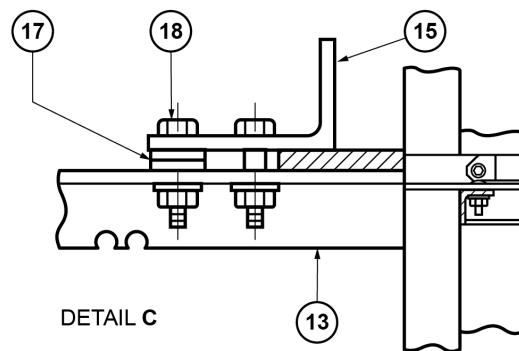
Scale: nts Auth: DMT Date: 16/02/2012



DETAIL A



DETAIL B



DETAIL C

CC 133508

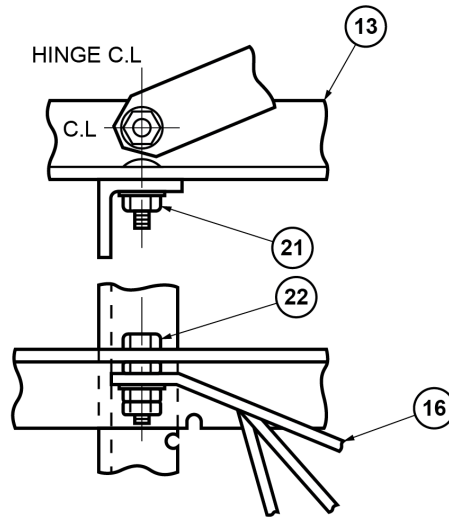
ANTI-CLIMBING DEVICE
STEEL TOWER KIT
WIDE BASED TOWER
C/W SPACER BARS AND FITTINGS

Change information for this issue
J bolts removed

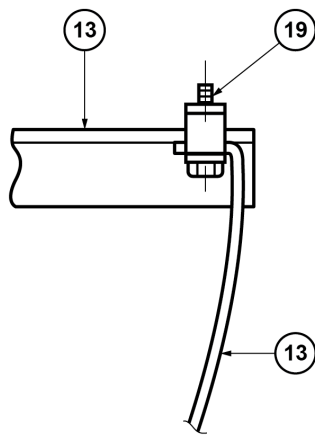
Appears in
ES400A2
CP430 Pt 2



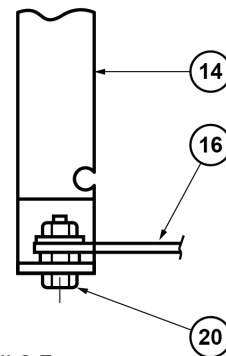
I-400A2-ACD-008 Iss 2 sht 2 of 12
Scale: nts Auth: DMT Date: 16/02/2012



DETAIL D



DETAILS E



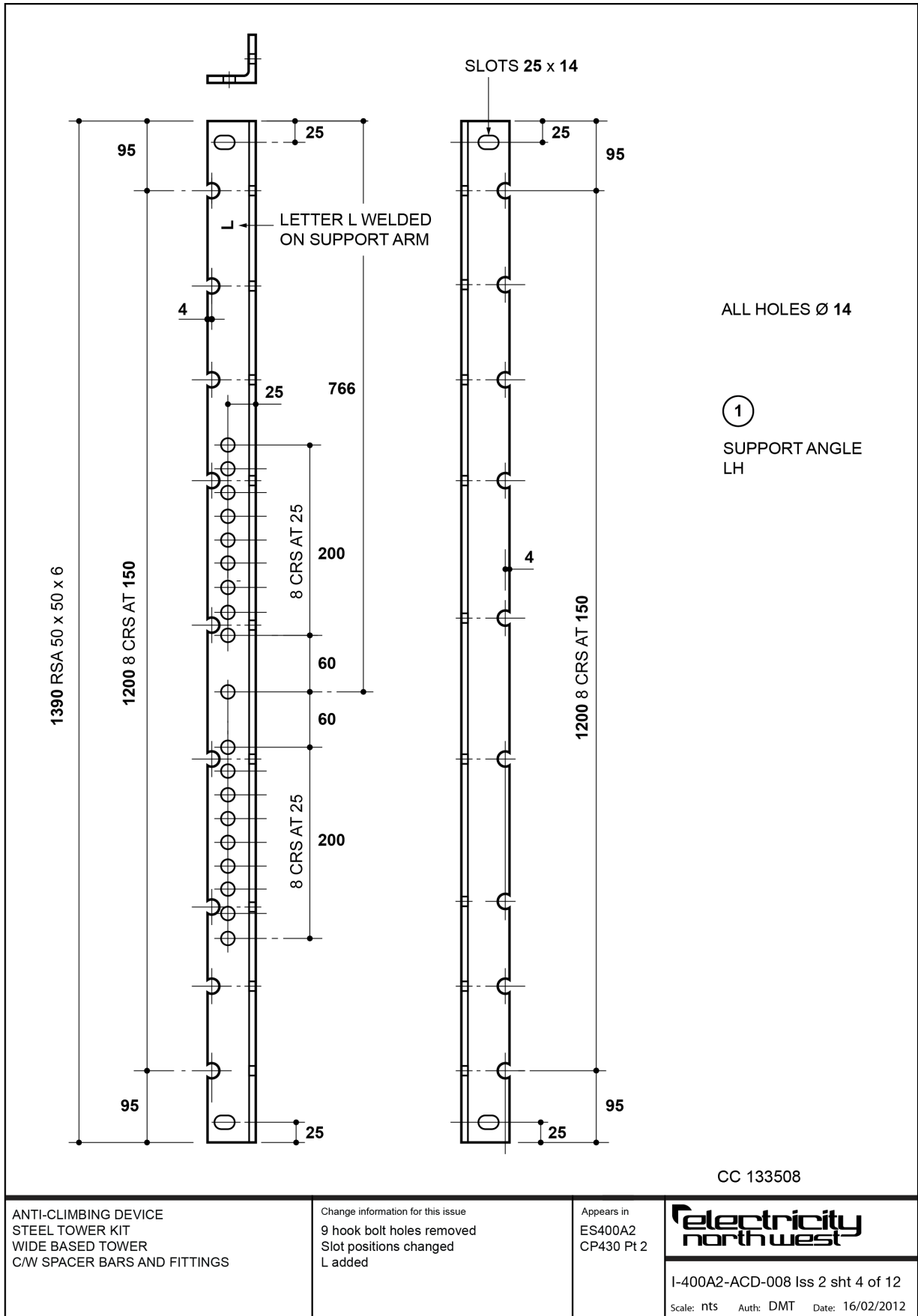
DETAILS F

CC 133508

ANTI-CLIMBING DEVICE
STEEL TOWER KIT
WIDE BASED TOWER
CW SPACER BARS AND FITTINGS

Change information for this issue
N/A

Appears in
ES400A2
CP430 Pt 2



ANTI-CLIMBING DEVICE
STEEL TOWER KIT
WIDE BASED TOWER
C/W SPACER BARS AND FITTINGS

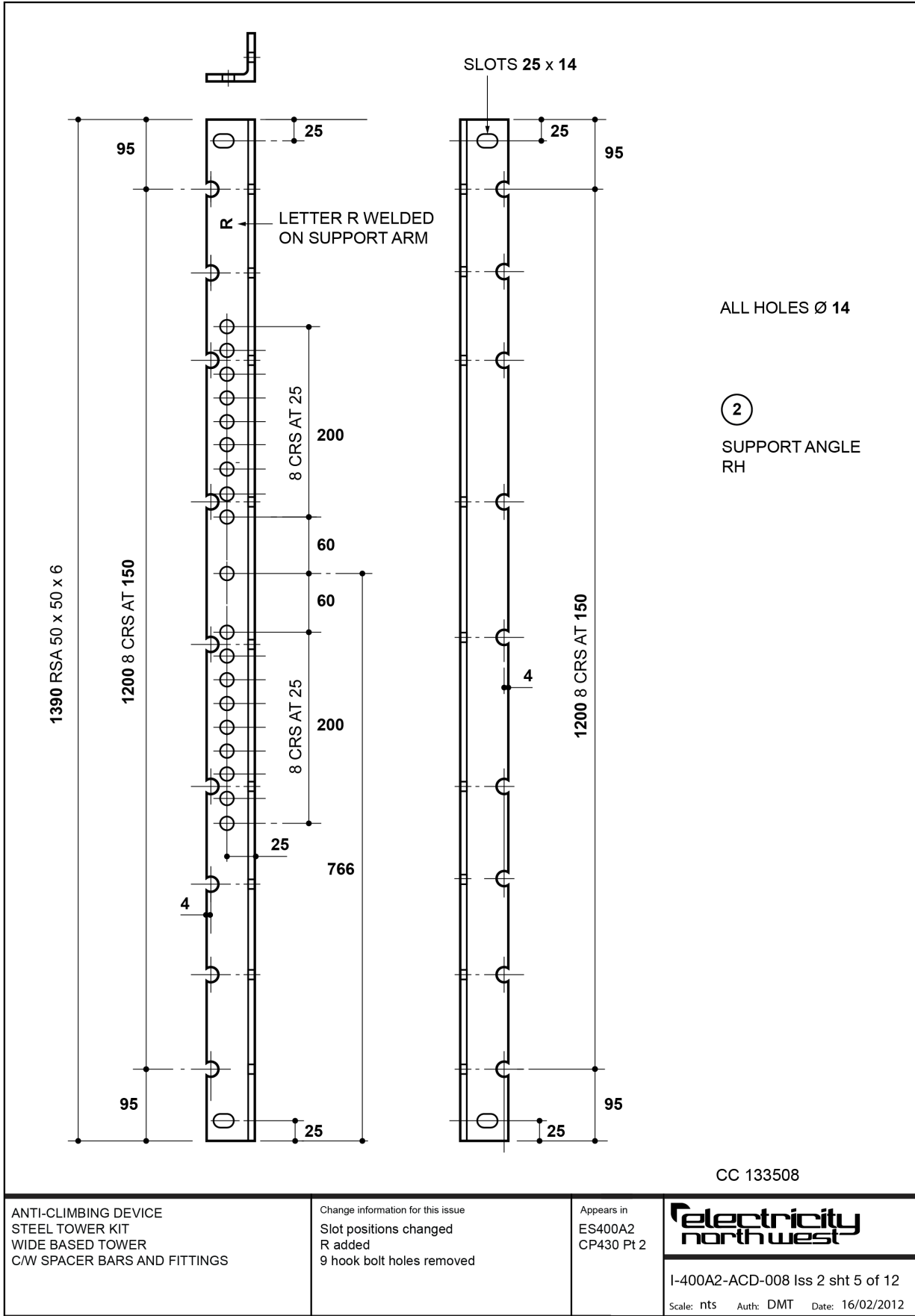
Change information for this issue
9 hook bolt holes removed
Slot positions changed
L added

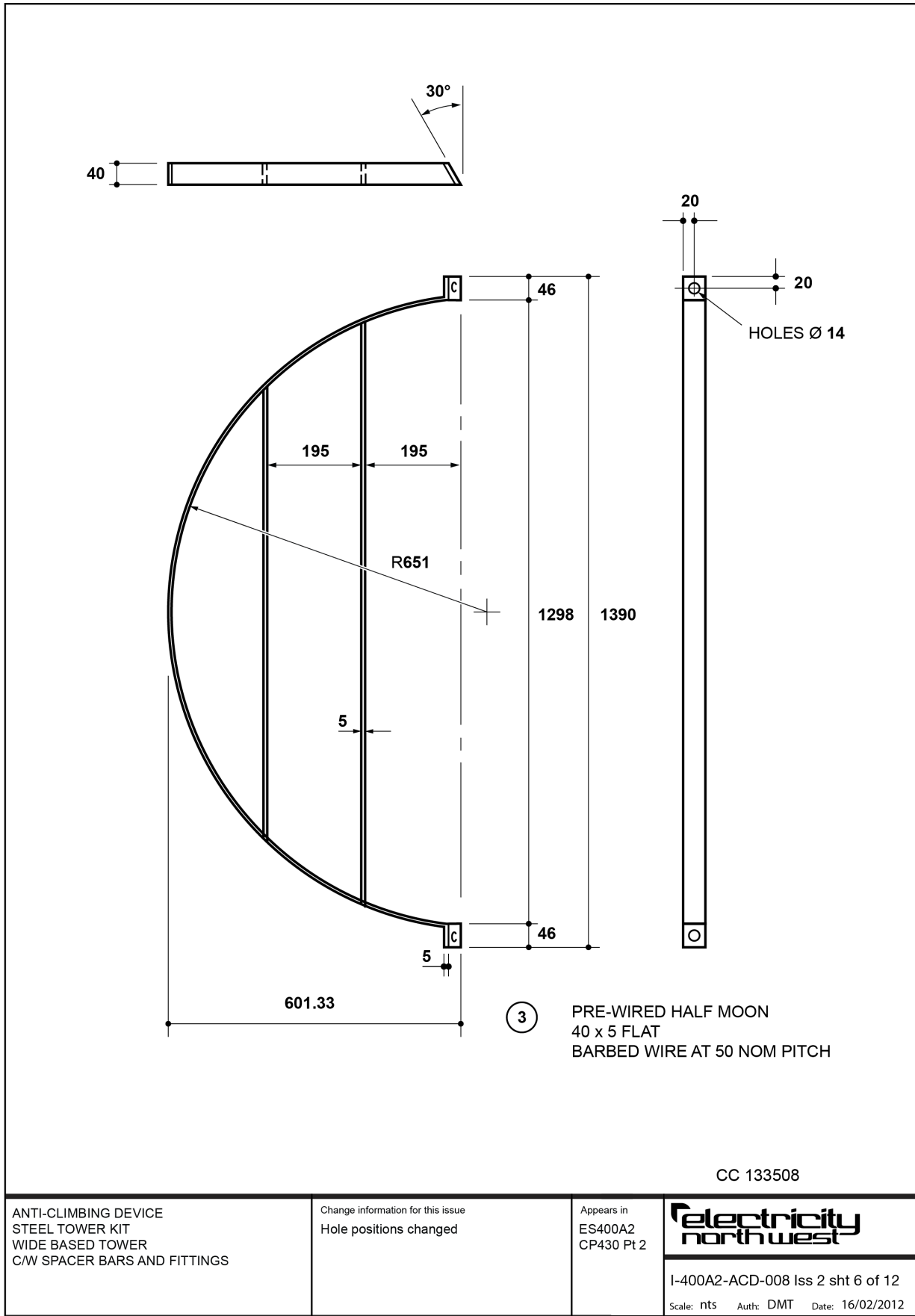
Appears in
ES400A2
CP430 Pt 2

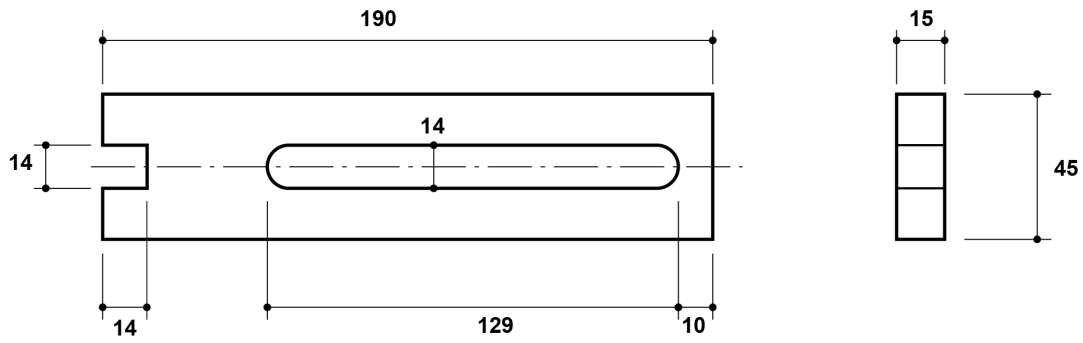
electricity north west

I-400A2-ACD-008 Iss 2 sht 4 of 12

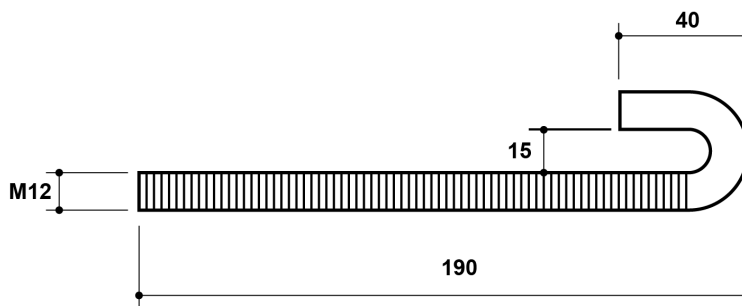
Scale: nts Auth: DMT Date: 16/02/2012







④ LOCK PLATE



⑤ HOOK BOLT

CC 133508

ANTI-CLIMBING DEVICE
STEEL TOWER KIT
WIDE BASED TOWER
C/W SPACER BARS AND FITTINGS

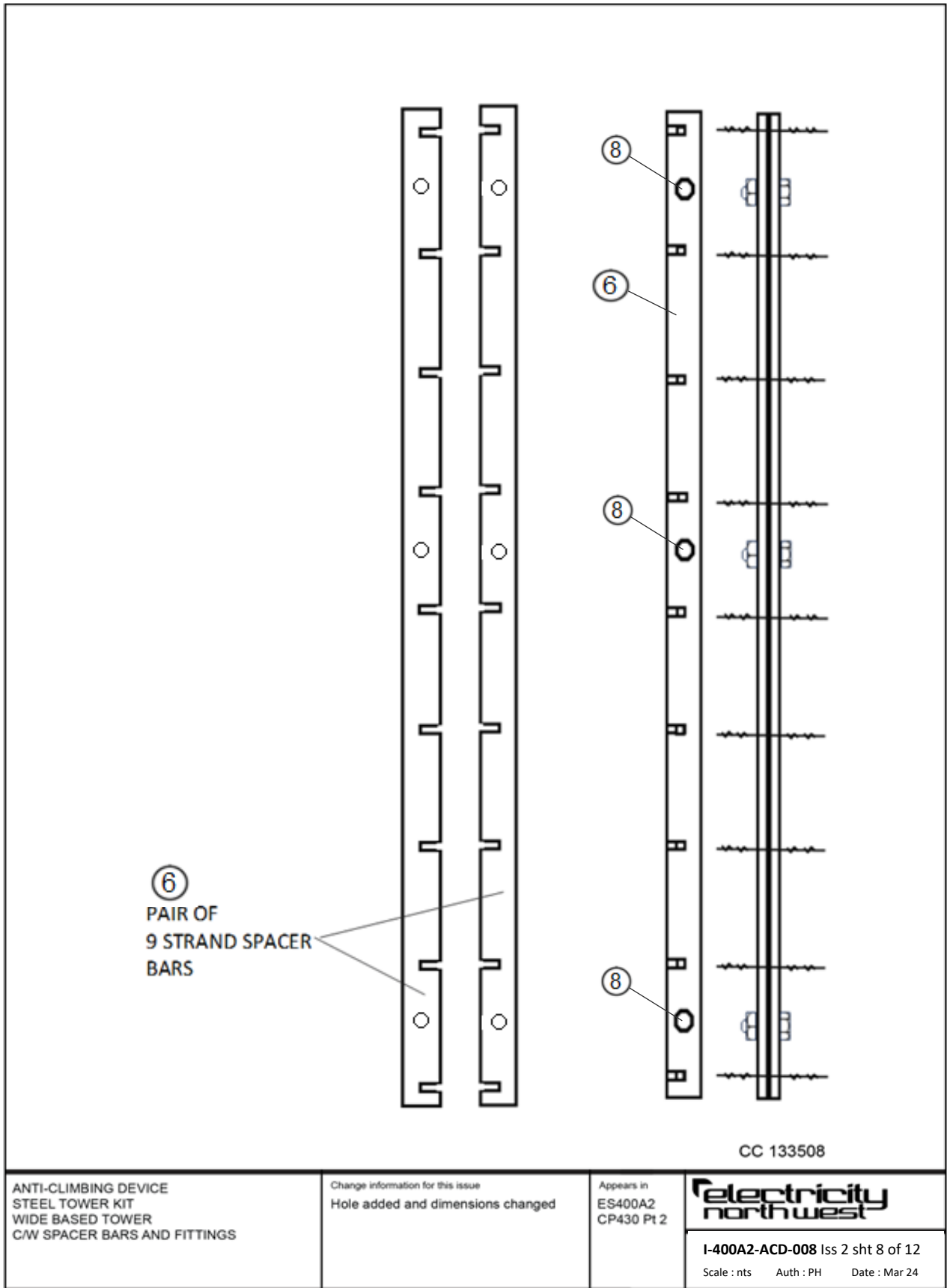
Change information for this issue
LOCK PLATE THICKNESS INCREASED
TO 15mm

Appears in
ES400A2
CP430 Pt 2



I-400A2-ACD-008 Iss 2 sht 7 of 12

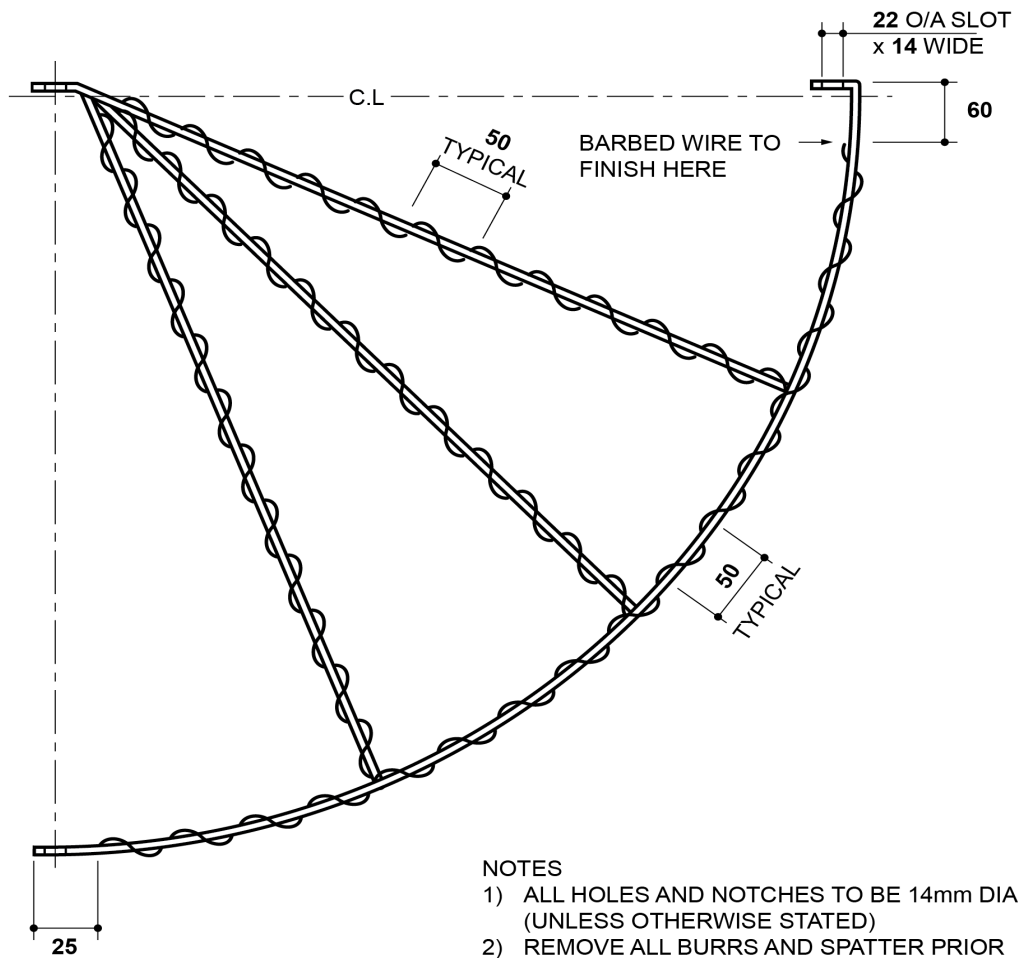
Scale: nts Auth: DMT Date: 16/02/2012



ANTI-CLIMBING DEVICE
STEEL TOWER KIT
WIDE BASED TOWER
C/W SPACER BARS AND FITTINGS

Change information for this issue
Hole added and dimensions changed

Appears in
ES400A2
CP430 Pt 2



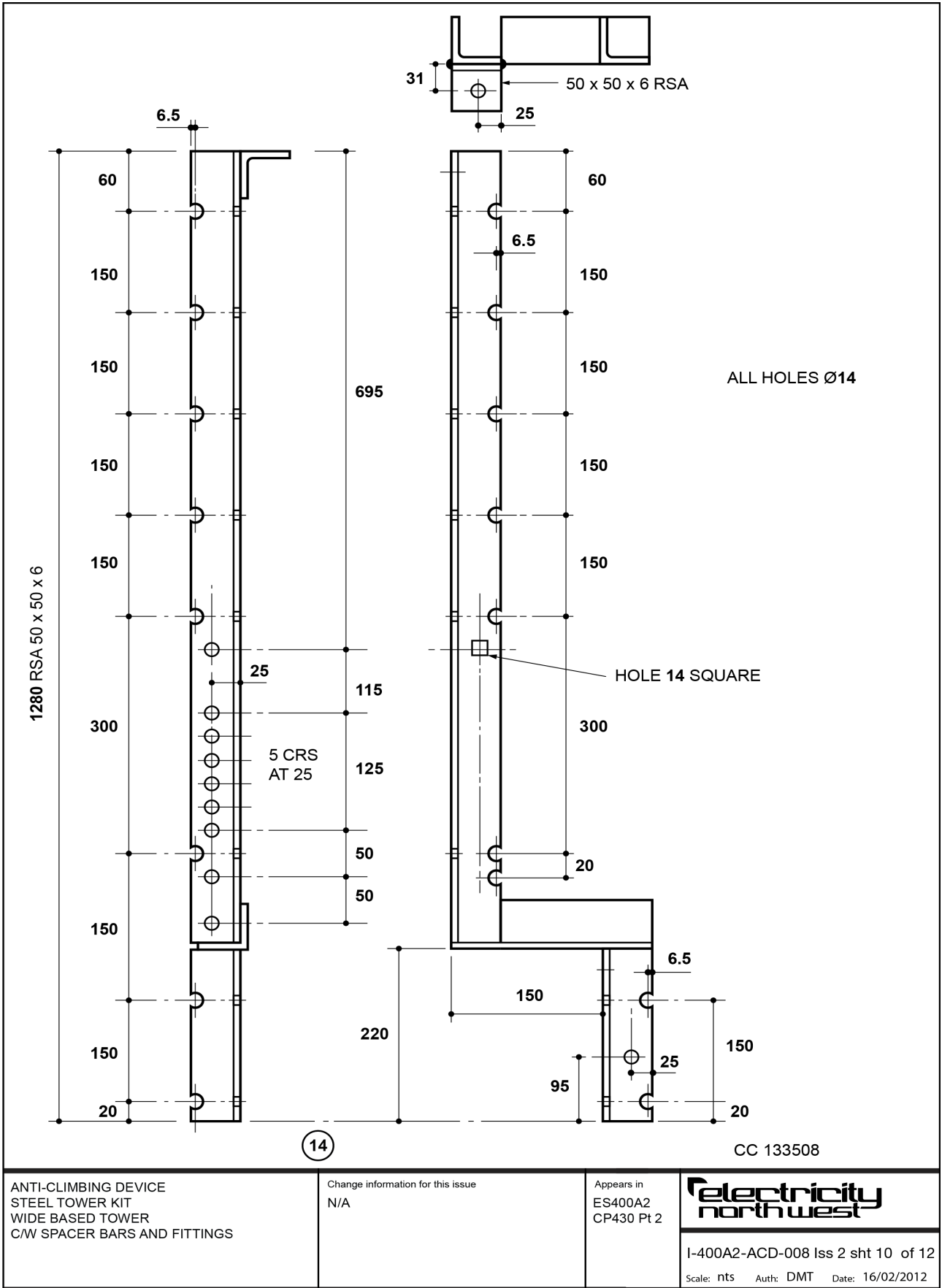
16 GATE
PRE-WIRED AND GALVANISED

CC 133508

ANTI-CLIMBING DEVICE
STEEL TOWER KIT
WIDE BASED TOWER
C/W SPACER BARS AND FITTINGS

Change information for this issue
N/A

Appears in
ES400A2
CP430 Pt 2



ANTI-CLIMBING DEVICE
STEEL TOWER KIT
WIDE BASED TOWER
C/W SPACER BARS AND FITTINGS

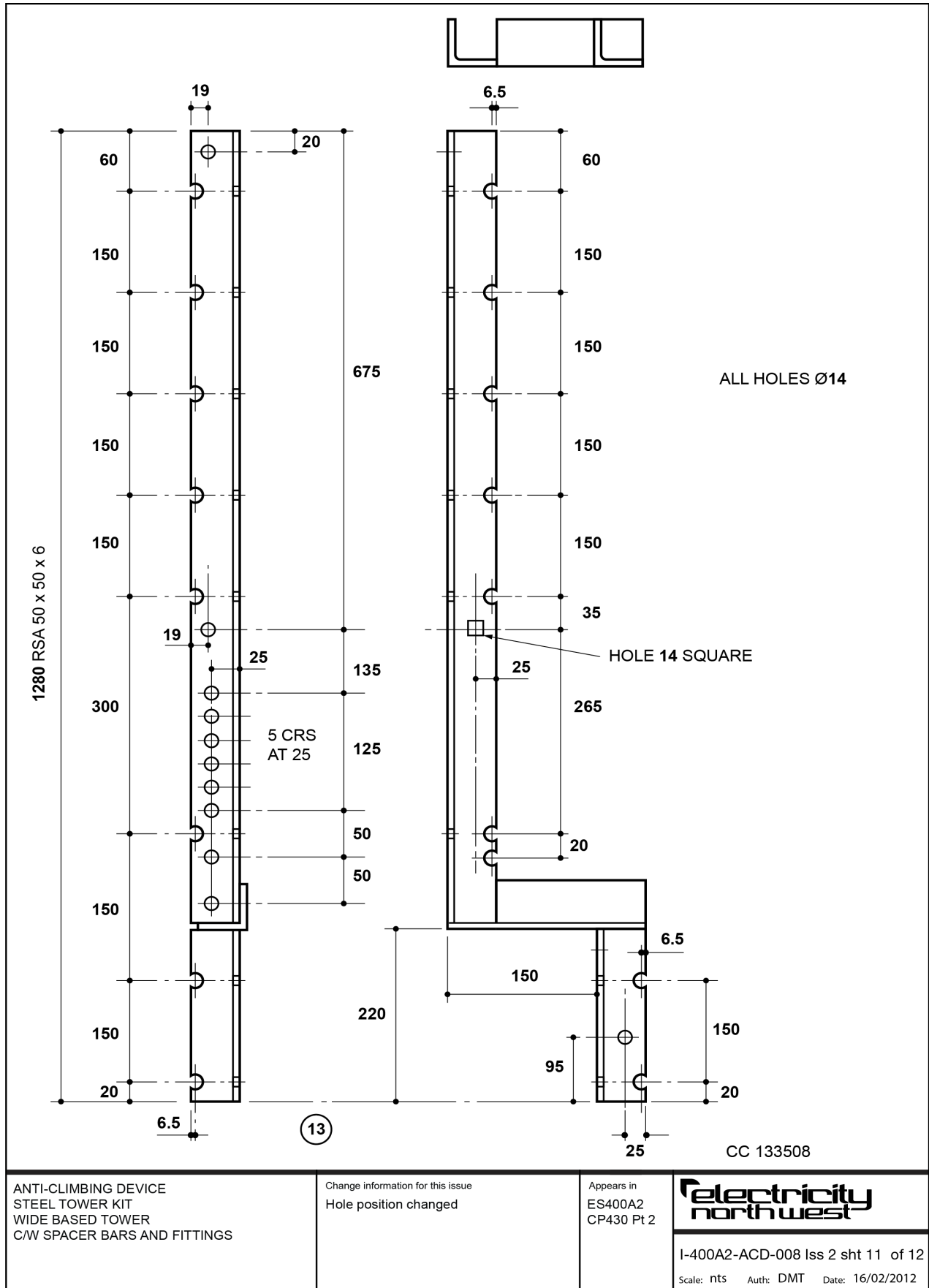
Change information for this issue
N/A

Appears in
ES400A2
CP430 Pt 2

electricity north west

I-400A2-ACD-008 Iss 2 sht 10 of 12

Scale: hts Auth: DMT Date: 16/02/2012



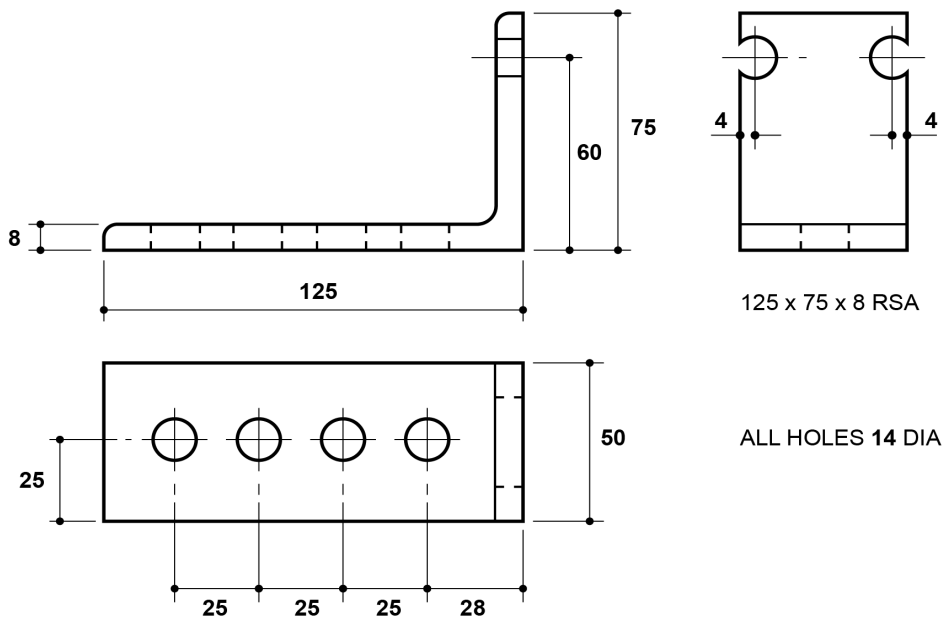
ANTI-CLIMBING DEVICE
STEEL TOWER KIT
WIDE BASED TOWER
C/W SPACER BARS AND FITTINGS

Change information for this issue
Hole position changed

Appears in
ES400A2
CP430 Pt 2

FOR DETAILS SEE DRG I-400A2-ACD-011

19 GATE HOOK



14 NOTCHED ANGLE CLAMP PLATE

CC 133508

ANTI-CLIMBING DEVICE
STEEL TOWER KIT
WIDE BASED TOWER
C/W SPACER BARS AND FITTINGS

Change information for this issue
N/A

Appears in
ES400A2
CP430 Pt 2



I-400A2-ACD-008 Iss 2 sht 12 of 12
Scale: nts Auth: DMT Date: 16/02/2012

Anti-Climbing Device, Steel Tower Kit, Wide Based Tower, C/W Spacer Bars and Fittings – KIT CC Number 133508

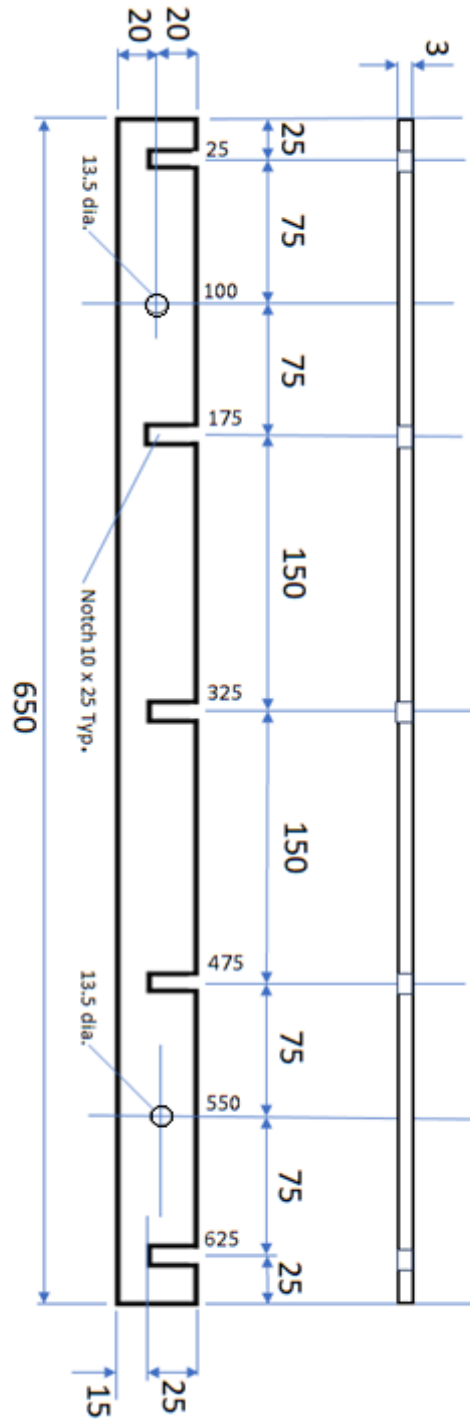
Item Number (refer to drawing)	Description	Drawing No: I-400A2-ACD-008		
		ES Ref No	CC number	Quantity
1	Support angle	-	-	4
2	Support angle	-	-	4
3	Pre-wired half moon	-	-	8
4	Lock plate	-	-	16
5	Hook bolt + nut and washer	-	-	8
6	Spacer bar, 9-strand (long)	-	133515	16 pairs
7	Spacer bar, 5-strand (short) (Refer to Dwg I-400A2-ACD-009)	ES400A2	133510	4 pairs
8	Screw, set, M12, 35mm + nut and washer	-	-	16
9	Bolt, M12, 60mm, high tensile + 1 nut and washer	-	-	32
10	Washer, packing, M12, 5mm thick, base galvanized	-	-	48
11	Bolt, hook, M12, 105mm + 2 nuts and washers	-	-	72
12	Not used	-	-	-
13	Support angle	-	-	4
14	Support angle	-	-	4
15	Notched angle clamp plate	-	-	8
16	Gate	-	-	4
17	Washer, packing, M12, 5mm thick, bolt galvanized	-	-	24
18	Screw, set, M12, 60mm, high-tensile steel + nut and washer	-	-	16
19	Gate hook (Refer to Dwg I-400A2-ACD-011) + flat washer	ES400A2	133521	4 4
20	Bolt, M12, 35mm + full nut, lock nut and flat washer	-	-	4
21	Bolt, dome head, M12, 40mm + full nut and flat washer	-	-	67
22	Bolt, M12, 40mm + 2 full nuts, lock nut and flat washer	-	-	4
23	Stainless steel ties to Drawing I-400A2-ACD-012	ES400A2	-	200

Mar 24

NOTE:

- (a) Item 11: number required will depend on number of lines of barbed wire required to fill the central gap.

All Dimensions in mm



Used as a pair bolted together in opposite planes to trap barbed wire

Commodity Code:
133510

ANTI-CLIMBING DEVICE
SPACER BAR
5-STRAND (SHORT)

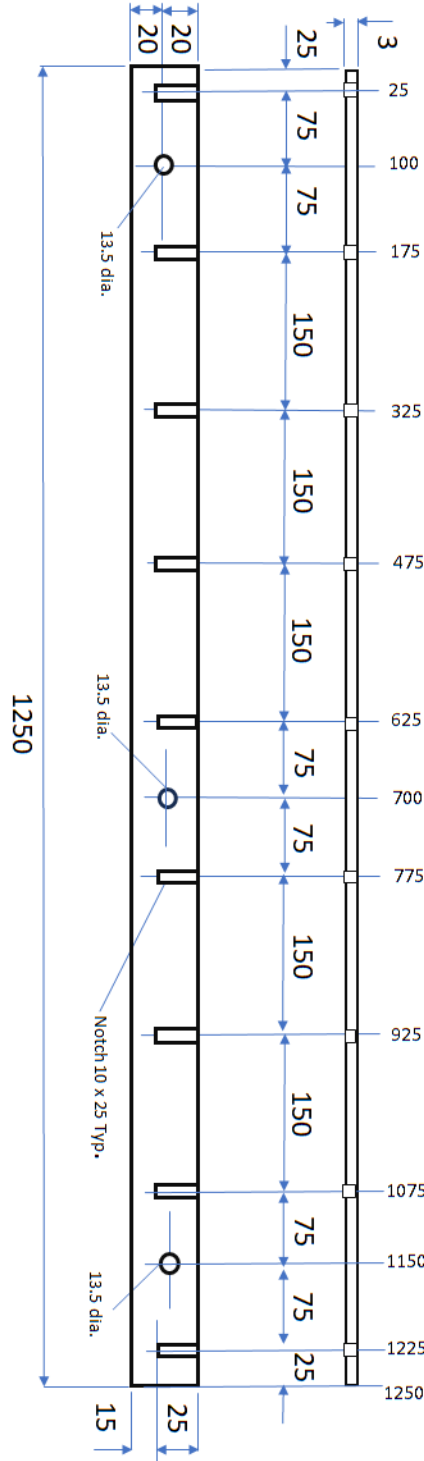
Change information for this issue
N/A

Appears in
ES400A2
CP430 Pt 2



I-400A2-ACD-009 Iss 2 sht 1 of 1
Scale : nts Auth : PH Date : Mar 24

All Dimensions in mm



Used as a pair
bolted together in
opposite planes to
trap barbed wire

Commodity Code:
133515

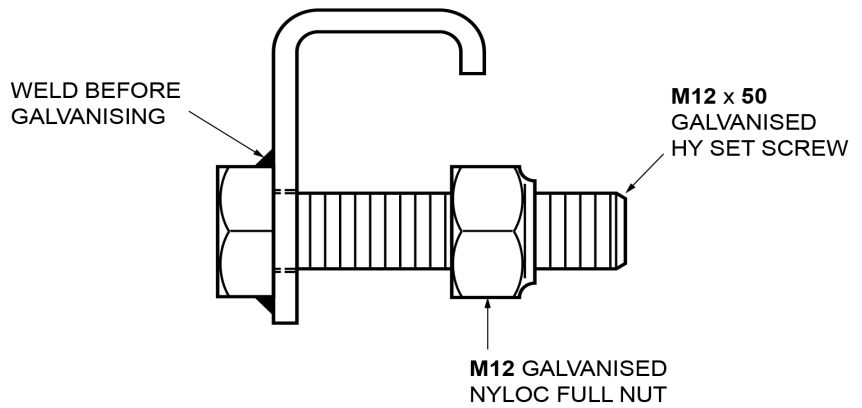
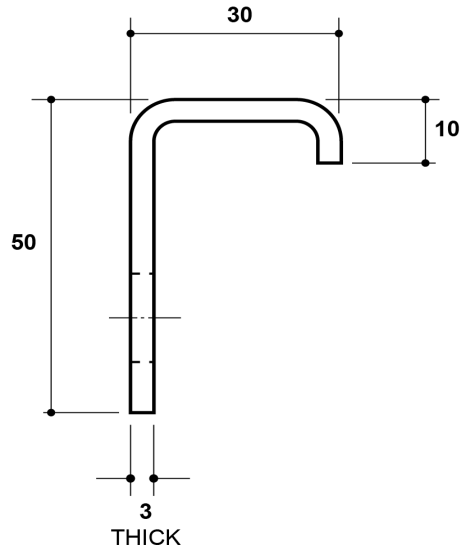
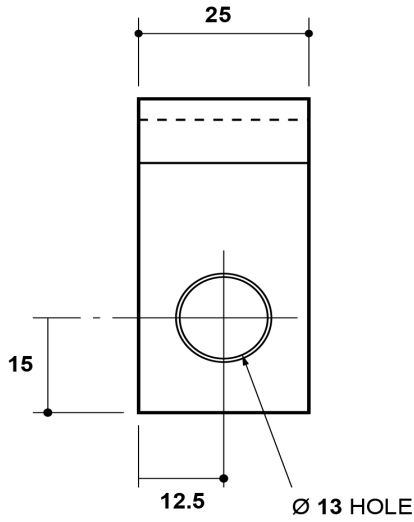
ANTI-CLIMBING DEVICE
SPACER BAR
9-STRAND (LONG)

Change information for this issue
N/A

Appears in
ES400A2
CP430 Pt 2



I-400A2-ACD-010 Iss 2 sht 1 of 1
Scale : nts Auth : PH Date : Mar 24

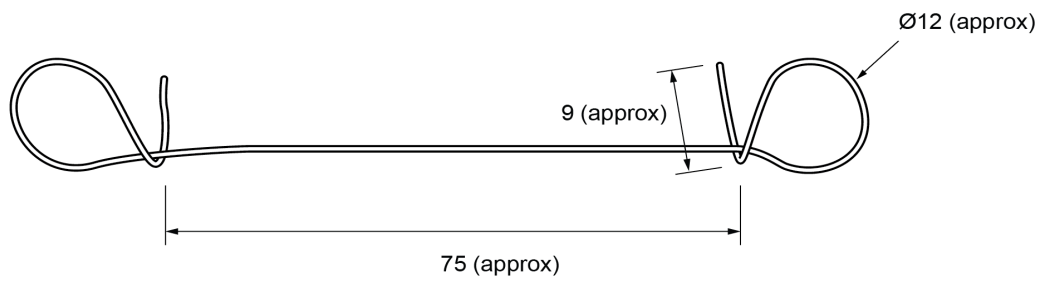


CC 133521

ANTI-CLIMBING DEVICE
STEEL TOWER
GATE HOOK

Change information for this issue
Screw length increased,
hole dia decreased

Appears in
ES400A2
CP430 Pt2



Note:
Wire shall be 17 SWG stainless steel, AISI Grade 304

STAINLESS STEEL TIE

Change information for this issue
N/A

Appears in
ES400A2

Appendix B – Conformance Declaration

SECTION-BY-SECTION CONFORMANCE WITH SPECIFICATION

The Tenderer shall declare conformance or otherwise for each product/service or range of products/services, section-by-section, using the following Conformance Declaration Codes.

Conformance Declaration Codes:

N/A =	Clause is not applicable/appropriate to the product/service.
C1 =	The product/service conforms fully with the requirements of this clause.
C2 =	The product/service conforms partially with the requirements of this clause.
C3 =	The product/service does not conform to the requirements of this clause.
C4 =	The product/service does not currently conform to the requirements of this clause, but the manufacturer proposes to modify and test the product in order to conform.

Manufacturer:

Product/Service Description:

Product/Service Reference:

Name:

Company:

Signature:

SECTION-BY-SECTION CONFORMANCE

Section	Section Topic	Conformance Declaration Code	Remarks * (must be completed if code is not C1)
4.1	Product not to be Changed		
4.2	Electricity North West Technical Approval		
4.3	Quality Assurance		
4.4	Formulation		
4.5	Identification Markings		
4.6	Minimum Life Expectancy		
4.7	Product Conformity		
4.8	Confirmation of Conformance		
5.1	Requirements for Type Tests at the Supplier's Premises		
5.2	Requirement for Routine Tests at the Supplier's Premises		
6.1	Steelwork		
6.2	Steelwork Finish		
6.3	Barbed Wire		
6.4	Wire Staples		

* Applicable specifications shall be stated in the Remarks column where alternatives are quoted within a section. The Remarks column shall also be used to indicate cases where the products or services exceed the quoted specifications.

Additional Notes: