



## A2 Schedule B – Technical Schedule

(to be completed by the tenderer)

### A2.1 General

State Approval Notice/Notice of Conformity/Report Nos. held for the equipment offered.

What evidence is available to show the equipment is suitable for use on a 21.9 kA system?

### A2.2 Ring Main Units

Are extra parts required for transformer mounting?

YES/NO.

If YES give full details.

Does the ring main unit provide a stable assembly when mounted on a 315kVA transformer?

YES/NO.

If NO what additional support is necessary and where does this support lie on the foundation plan Drawing  
No

### A2.3 Other Equipment

Is busbar cable box handed or is it suitable for fitting either end of busbars?

Handed/Either

Could you supply a compatible outdoor circuit breaker?

If so, state type reference and ratings.

**A3 Schedule C1 – List of 359mm (Normal) Long Fuse Links Tested in the Ring Main Unit or Other Switch-Fuse Units**

MANUFACTURER	TYPE DESIGNATION	FREE RATING A	IN UNIT RATING A	ASTA22 CERT NO	TEMP RISE CERT NO
<b>12kV</b>					
<b>7.2kV</b>					

Name of Tenderer \_\_\_\_\_

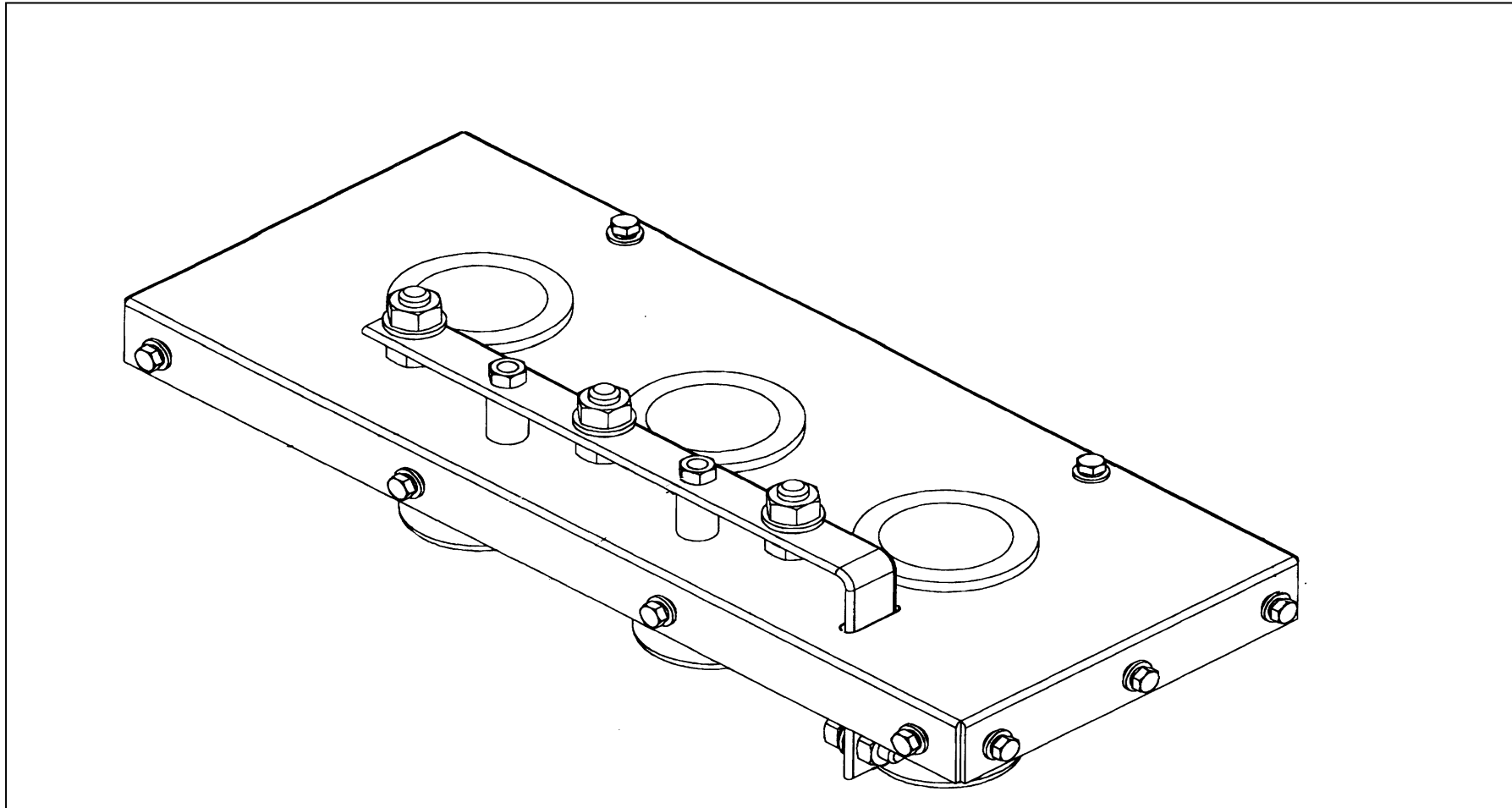
**A4 Schedule C2 – List of 359mm (Nominal) Long Fuse Links Tested in Other Fuse-Switch Units**

MANUFACTURER	TYPE DESIGNATION	FREE RATING A	IN UNIT RATING A	ASTA22 CERT NO	TEMP RISE CERT NO
<b>12kV</b>	<b>kA</b>				
<b>7.2kV</b>	<b>21.9 kA</b>				

Name of Tenderer \_\_\_\_\_



## Appendix B – Earthing Bar and Gland Plate Example



## Appendix C – Conformance Declaration

### SECTION-BY-SECTION CONFORMANCE WITH SPECIFICATION

The Tenderer shall declare conformance or otherwise for each product/service or range of products/services, section-by-section, using the following Conformance Declaration Codes.

**Conformance Declaration Codes:**

<b>N/A =</b>	Clause is not applicable/appropriate to the product/service.
<b>C1 =</b>	The product/service conforms fully with the requirements of this clause.
<b>C2 =</b>	The product/service conforms partially with the requirements of this clause.
<b>C3 =</b>	The product/service does not conform to the requirements of this clause.
<b>C4 =</b>	The product/service does not currently conform to the requirements of this clause, but the manufacturer proposes to modify and test the product in order to conform.

**Manufacturer:**

**Product/Service Description:**

**Product/Service Reference:**

**Name:**

**Company:**

**Signature:**

**SECTION-BY-SECTION CONFORMANCE**

Section	Section Topic	Conformance Declaration Code	Remarks * (must be completed if code is not C1)
2	General Design Features		
4.1	Product not to be Changed		
4.2	Electricity North West Technical Approval		
4.3	Quality Assurance		
4.4	Formulation		
4.5	Identification Markings		
4.6	Minimum Life Expectancy		
4.7	Product Conformity		
5.1	Requirements for Type Tests at the Supplier's Premises		
5.2	Requirement for Routine Tests at the Supplier's Premises		
5.3	Requirement for On Site Tests		
6	Ratings		
7.1	Protection – Automatic Switch Fuse Equipment		
7.2	Protection – Circuit Breakers		



7.3	Protection Testing Facilities		
8.1	Cable Terminations – General		
8.2	Earthing Bar		
8.3	Jointing Access – Ring Main Equipment in Unit Substation Application		
9	Filling Medium		
9.1	Gas		
9.2	Oil		
9.3	Vacuum		
10	Metering		
11	Provision for Remote Control		
11.1	Power Supplies		
11.2	Approval of Retrofit Actuators		
12	Internal Arc Tested Equipment		
13	Handling of SF <sub>6</sub> and Decontamination Procedures		
14	Drawing and Maintenance Instructions		
15	Voltage Sensing		

16	Voltage Check and Phase Identification		
17	Disposal of Switchgear and/or its Components		
18	Manual Handling		
19	Failure, Modes, Effect and Cause Analysis		
20.1.1	Ring Main Equipment – Supports		
20.1.2	Addition to Remote Trip Feature to the Switch-Fuse		
20.2.1	Busbar Section Switch		
20.3.1	Non-Extensible Switch-fuse for Transformer Mounting		
20.3.2	Addition of a Remote Feature to a Switch-fuse		
20.4	Active Network Power Flow Monitoring		
Schedule A	List of Sub Contractors		
Schedule B	Technical Schedule to be Completed by the Tenderer		
Schedule C1	List of 359mm (Nominal) Long Fuse Links Tested in the Ring Main Unit		
Schedule C2	List of 359mm (nominal) Long Fuse Links Tested in other Fuse-Switch Units.		

Schedule C3

List of 359mm (nominal)  
Long Fuse Links Tested  
in other Fuse Switch  
Units

Additional Notes: