

# Electrolink N° 5

January 2011

## OUTDOOR METER READING FACILITIES

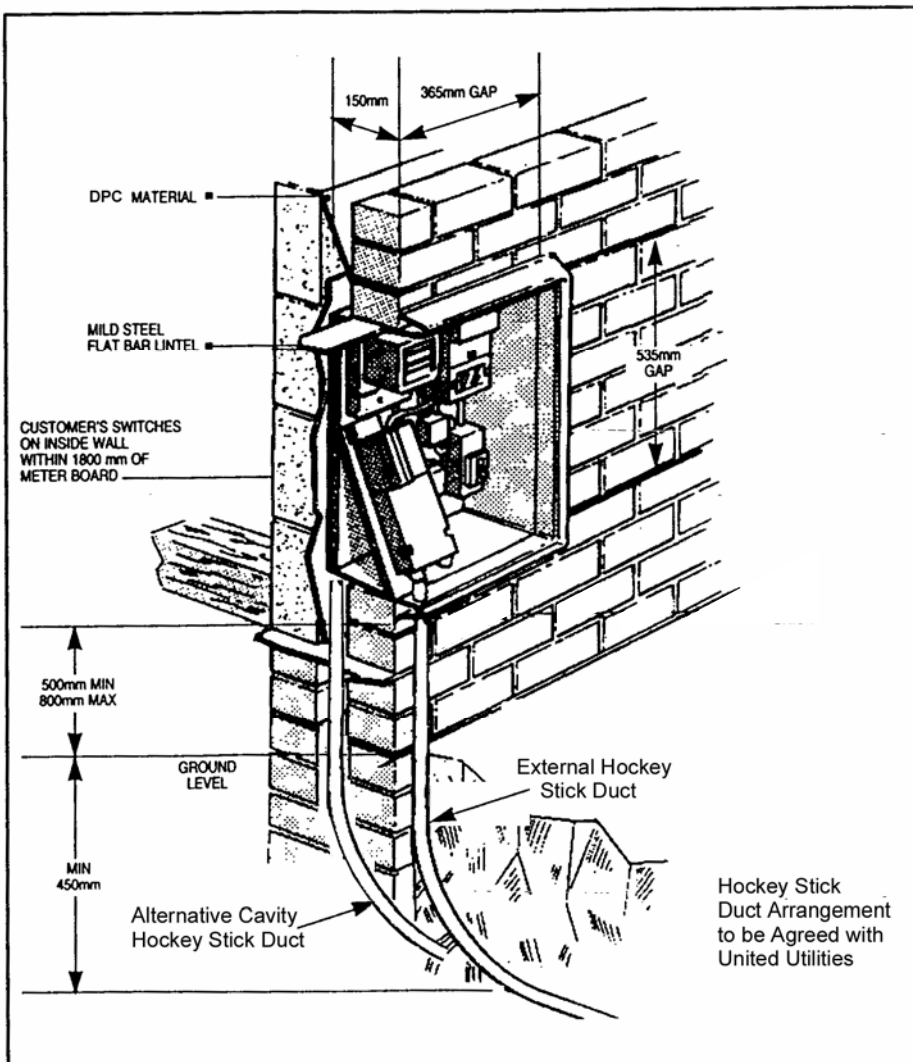
Standard cupboards, conforming to Electricity North West's specification are available for purchase by Builders, Developers and Local Authorities.

Fitting of an outdoor meter cupboard provides a number of benefits to both the builder and the occupier:-

**SPACE SAVING WITHIN THE PREMISES**

**SERVICE EQUIPMENT OUT OF SIGHT**

**METERS CAN BE READ WITHOUT INCONVENIENCE**



The cupboard, which is installed as shown in the diagram, is constructed of non-corrosive materials. The box is white in colour but may be painted by the builder if required. (A surface mounted cupboard for use in buildings without a cavity is also available).

In general your Supplier will require you to install a small outdoor meter cupboard, 535mm High x 365mm Width x 150mm Depth (in brickwork), for fixing by the builder in accordance with Electricity North West's requirements.

This cupboard is designed to house a Electricity North West service cut-out and Meter-Operator-provided meter, time controller and disconnecter as illustrated in Electrolink No 4.

Larger size cupboards may be installed where it is necessary to accommodate additional metering or control equipment as specified by your Supplier.

Medium cupboard	600mm High x 400mm Wide x 150mm Depth
Large cupboard	675mm High x 485mm Wide x 150mm Depth

If a builder wishes to provide and fit an alternative cupboard it must be to a design and construction approved by Electricity North West.

## INSTALLATION

General arrangements for the installation of outdoor meter reading cupboards are given in this Electrolink. See the accompanying drawing No A3-018/02/E.

The agreed location should allow easy access for meter reading and should not be restricted by any construction of fences, garages, etc.

Your Supplier may not install prepayment meters and card meters in an outdoor meter cupboard. Adequate space should be available adjacent to the meter cupboard, on an internal wall, for possible future installation of a prepayment meter or card meter and medium sized meter board, size 575mm x 375mm.

The layout of the meter board that will fit in the standard cupboard is described in Electrolink N<sup>o</sup> 4, "Meter Board Arrangements for New Single-Phase Domestic Supply up to 20kVA."

## ELECTRICITY NORTH WEST'S RESPONSIBILITY

The advice contained within this Electrolink is given in good faith based on information available. No guarantee can be given, however, that the information will not change in the future. Electricity North West cannot be held responsible for costs incurred due to inaccuracies or subsequent changes.

### Other publications in the Electrolink series:-

- Electrolink N<sup>o</sup> 1 - The Application of Protective Multiple Earthing to Customers' Electrical Installations.
- Electrolink N<sup>o</sup> 2 - Estimation of Prospective Short Circuit Current.
- Electrolink N<sup>o</sup> 3 - Temporary Electricity Connections for Construction Sites - up to 20/60kVA.
- Electrolink N<sup>o</sup> 4 - Meter Board Arrangements for New Single-Phase Domestic Supply up to 20kVA.
- Electrolink N<sup>o</sup> 6 - Interference with Supply to Other Customers.
- Electrolink N<sup>o</sup> 7 - Computers and Mains Electricity Supply.
- Electrolink N<sup>o</sup> 8 - Temporary Electricity Connections for Construction Sites - 60kVA to 300kVA

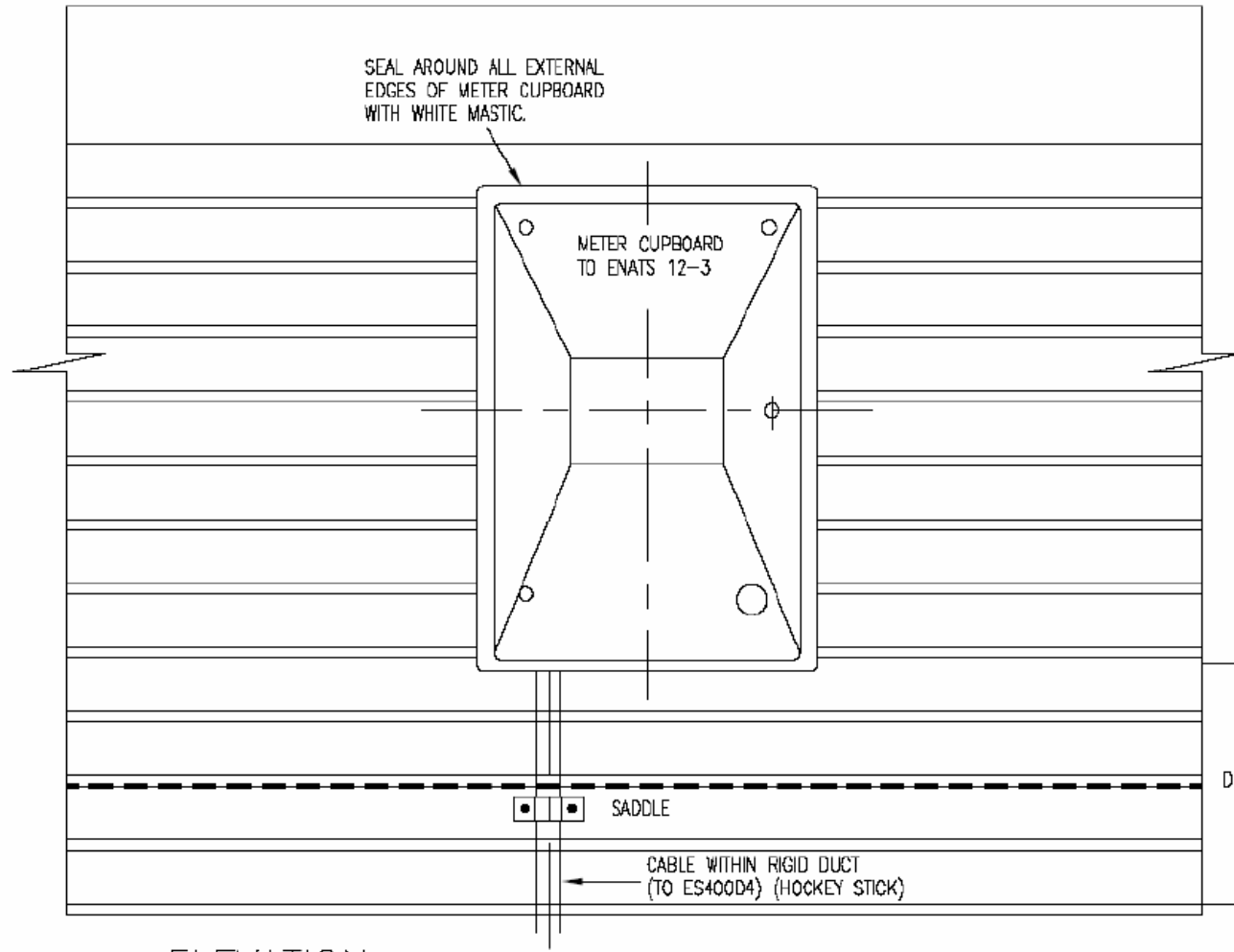
### For further information contact:

Electricity North West,  
Frederick Road,  
Salford,  
M6 6QH.

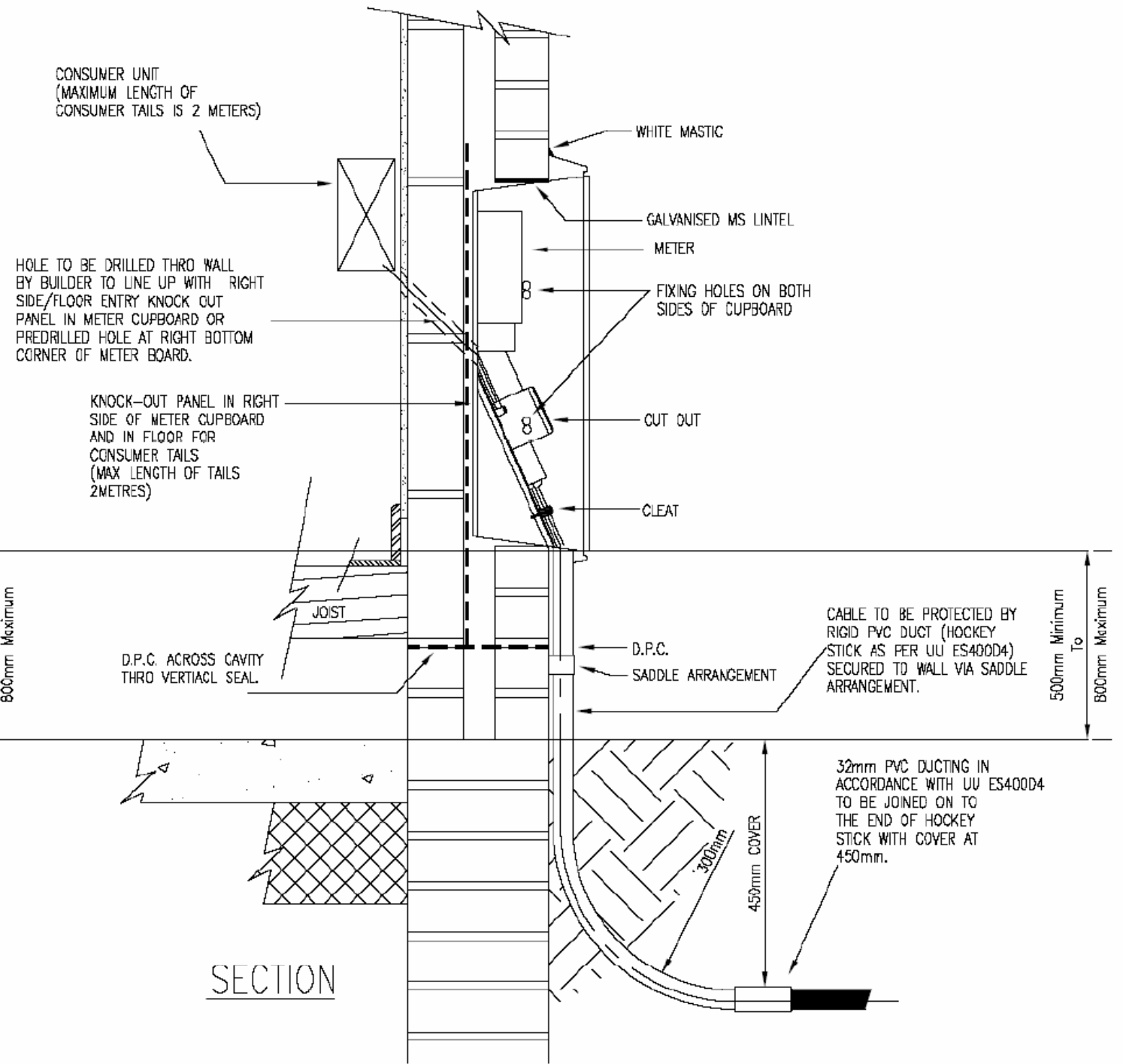
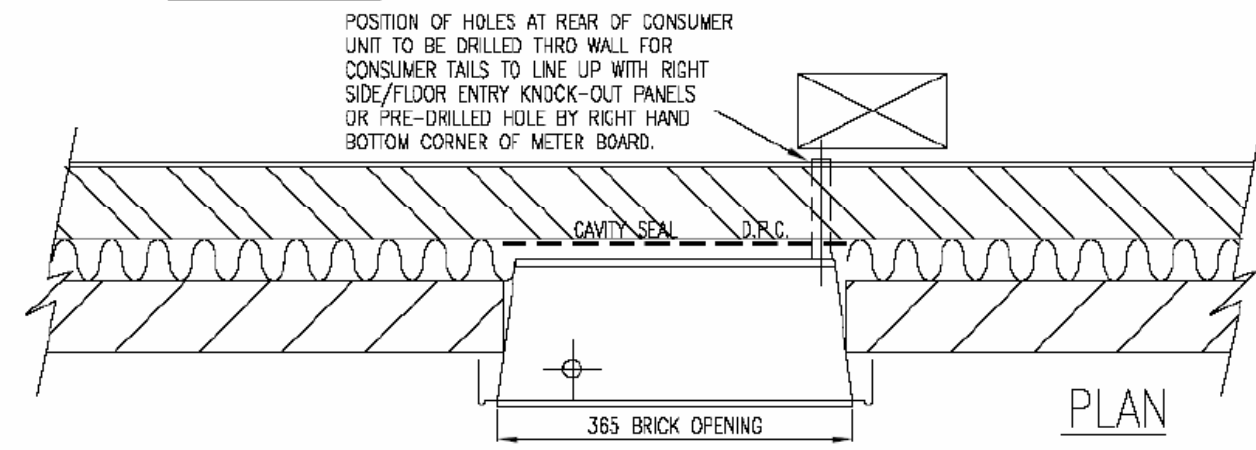
Telephone: 0871 687 0501

Email: [connections.enquiries@enwl.co.uk](mailto:connections.enquiries@enwl.co.uk)

# STANDARD EXTERNAL HOCKEY STICK VIEWING CABINET INSTALLATION GUIDE



ELEVATION



REVISIONS				
A	B	C	D	E
28/05/04	13/09/04	15/01/08		
APPROVED	ISSUED FOR CIRCULATION	CONSUMER UNIT POSITION ALTERED	SPECIFICATION EATS 12.24 AMENDED TO UU ES400D4	AIR BRICK DELETED

Title:- STANDARD METER CUPBOARD (SMALL)  
FOR EXTERNAL READING AND EXTERNAL CABLE FOR CONVENTIONAL BRICK STRUCTURES WITH CAVITY.

Scale:- DO NOT SCALE

Drawn:-  
Approved:- G.H.SMITH  
Date:- 23/09/03  
Drawing Number:- A3-018/02/E